

Essential

SIMPLICITY AT WORK

Versatile

MULTI-LEVEL PERFORMANCE

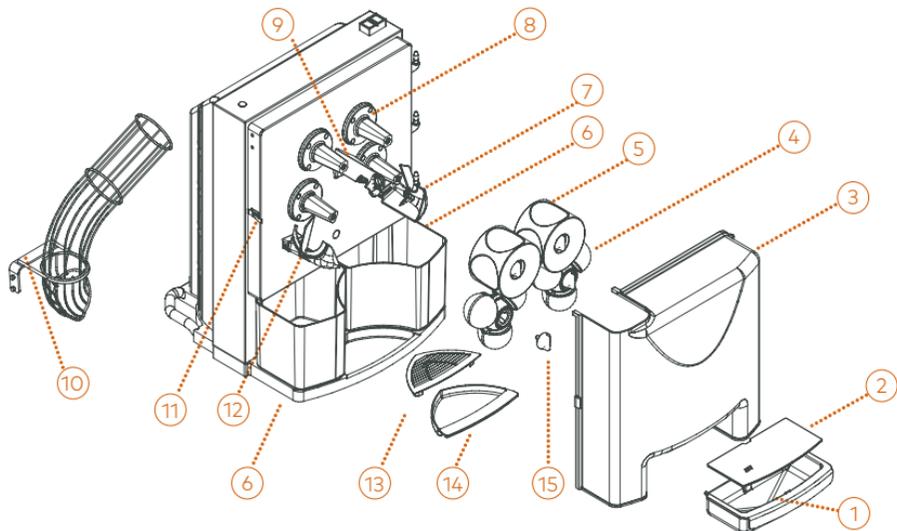


User's manual · Manual de usuario · Manuel de l'utilisateur
Bedienungsanleitung · Manuale d'uso

Drawing
Figuras
Figures
Abbildung
Figure

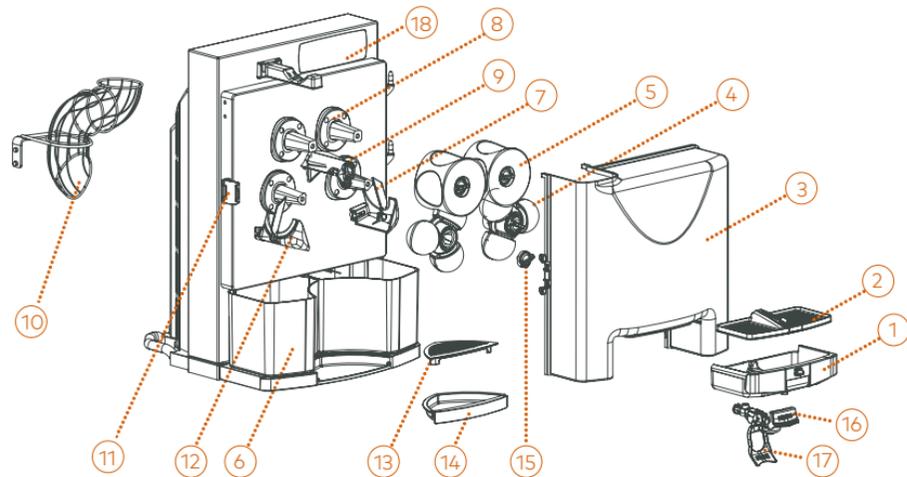


Diagrams with Parts: Essential Basic



EN	ES	FR	DE	IT	
1	JUICE CONTAINER	CUBETA ZUMO	RÉSERVOIR PULPE	SAFTBEHÄLTER	VASCETTA SUCCO
2	FILTER CONTAINER	FILTRO CUBETA	FILTRE RÉSERVOIR	BEHÄLTERFILTER	FILTRO VASCETTA
3	ZUMEX COVER	CUBIERTA ZUMEX	BOÎTIER ZUMEX	ZUMEX - ABDECKUNG	INVOLUCRO ZUMEX
4	LOWER PRESSING UNIT	TAMBOR MACHO	TAMBOUR MÂLE	TROMMELGEHÄUSE	TAMBURO MASCHIO
5	UPPER PRESSING UNIT	TAMBOR HEMBRA	TAMBOUR FEMELLE	TROMMEL-EINSAZ	TAMBURO FEMMINA
6	PEEL BUCKET	DEPÓSITO DE CORTEZAS	POUBELLE À ÉCORCES	SCHALENBEHÄLTER	DEPOSITO DELLE BUCCE
7	RIGHT PEEL EJECTOR	CUÑA EXTRACTORA DERECHA	TAQUET D'EXTRACTION DROIT	ENTSAFTERKEIL RECHTS	CUNEO DI ESTRAZIONE DESTRO
8	FASTENER SUPPORT CAP	TAPON SOPORTE RETÉN	BOUCHON SUPPORT BAGUE	HALTERUNGS- UND DICHTUNGSSTOFFEN	TAPPO SUPPORTO RISERVA
9	BLADE HOLDER	PORTACUCHILLAS	PORTE-LAMES	MESSERHALTER	PORTALAME

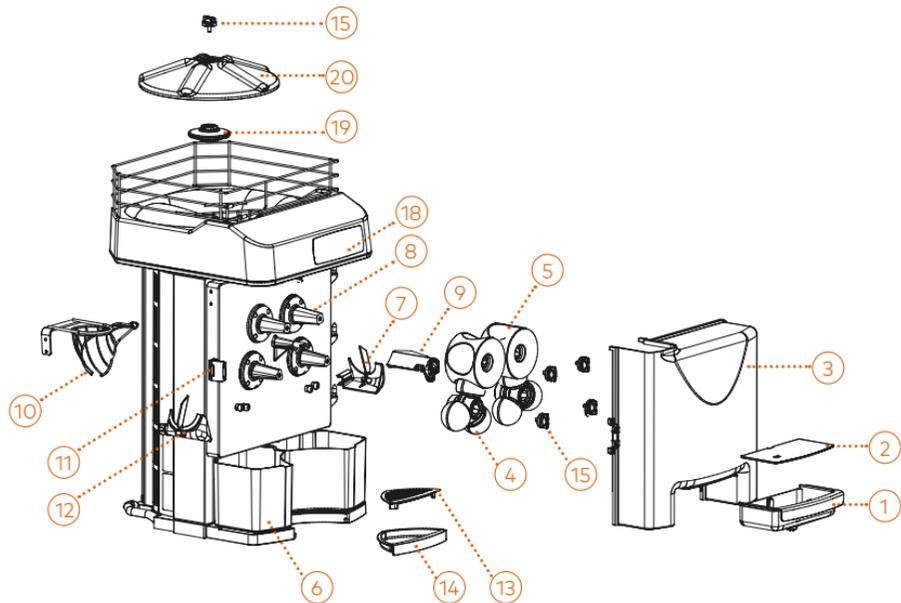
Diagrams with Parts: Essential Pro



EN	ES	FR	DE	IT	
10	FEEDER TUBE KIT	KIT TUBO DE ALIMENTACIÓN	KIT TUYAU D'ALIMENTATION	ZUFÜHRROHRSATZ	KIT TUBO DI ALIMENTAZIONE
11	COVER CATCH	CIERRE CUBIERTA	FERMETURE BOÎTIER	VERSCHLUSSABDECKUNG	CHIUSURA COPERCHIO
12	LEFT PEEL EJECTOR	CUÑA EXTRACTORA IZQUIERDA	TAQUET D'EXTRACTION GAUCHE	ENTSAFTERKEIL LINKS	CUNEO DI ESTRAZIONE SINISTRO
13	TRAY FILTER	FILTRO BANDEJA	FILTRE BAC	FILTRE TABLET	FILTRO VASCETTA
14	DRIP TRAY	BANDEJA GOTEO	BAC ANTIGOUTTES	TROPFAUFFANGSCHALE	VASCETTA RACCOGLIGOCCE
15	PLASTIC SECURING KNOB	VIS PLASTICO	VIS PLASTIQUE	PLASTIKEINSPRITZKNOPF	VOLANTE IN PLASTICA
16	COMPLETE FAUCET KIT	KIT GRIFO COMPLETO	KIT ROBINET COMPLET	KOMPLETTER HEBELSATZ	KIT RUBINETTO COMPLETO
17	FAUCET BUTTON	PULSADOR GRIFO	LEVIER ROBINET	DRUCKHEBEL	PULSANTE RUBINETTO
18	SLEEVE	CARÁTULA	COUVERCLE	ABDECKUNG	CUSTODIA

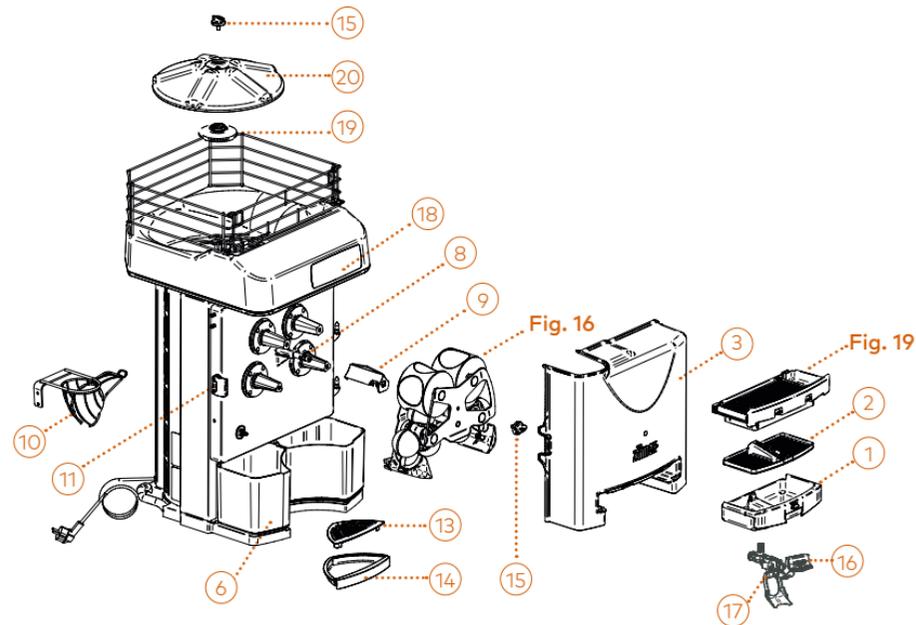


Diagrams with Parts: Versatile Basic



EN	ES	FR	DE	IT	
1	JUICE CONTAINER	CUBETA ZUMO	RÉSERVOIR PULPE	SAFTBEHÄLTER	VASCETTA SUCCO
2	FILTER CONTAINER	FILTRO CUBETA	FILTRE RÉSERVOIR	BEHÄLTERFILTER	FILTRO VASCETTA
3	ZUMEX COVER	CUBIERTA ZUMEX	BOÎTIER ZUMEX	ZUMEX - ABDECKUNG	FILTRO VASCETTA
4	LOWER PRESSING UNIT	TAMBOR MACHO	TAMBOUR MÂLE	TROMMELGEHÄUSE	TAMBORO MASCHIO
5	UPPER PRESSING UNIT	TAMBOR HEMBRA	TAMBOUR FEMELLE	TROMMEL-EINSAZ	TAMBORO FEMMINA
6	PEEL BUCKET	DEPOSITO DE CORTEZAS	POUBELLE À ECORCES	SCHALENBEHÄLTER	DEPOSITO DELLE BUCCE
7	PEEL PEEL EJECTOR	CUÑA EXTRACTORA DERECHA	TAQUET D'EXTRACTION DROIT	ENTSAFTERKEIL RECHTS	CUNEO DI ESTRAZIONE DESTRO
8	FASTENER SUPPORT CAP	TAPON SOPORTE RETÉN	BOUCHON SUPPORT BAGUE	HALTERUNGS- UND DICHTUNGSTOPFEN	TAPPO SUPPORTO RISERVA
9	BLADE HOLDER	PORTACUCHILLAS	PORTE-LAMES	MESSERHALTER	PORTALAME
10	FEEDER TUBE KIT	KIT TUBO DE ALIMENTACIÓN	KIT TUYAU D'ALIMENTATION	ZUFÜHRROHRSATZ	KIT TUBO DI ALIMENTAZIONE

Diagrams with Parts: Versatile Pro



EN	ES	FR	DE	IT	
11	COVER CATCH	CIERRE CUBIERTA	FERMETURE BOÎTIER	VERSCHLUSSABDECKUNG	CHIUSURA COPERCHIO
12	LEFT PEEL EJECTOR	CUÑA EXTRACTORA IZQUIERDA	TAQUET D'EXTRACTION GAUCHE	ENTSAFTERKEIL LINKS	CUNEO DI ESTRAZIONE SINISTRO
13	TRAY FILTER	FILTRO BANDEJA	FILTRE BAC	FILTER TABLETT	FILTRO VASCETTA
14	DRIP TRAY	BANDEJA GOTEO	BAC ANTIGOUTTES	TROPFAUFFANGSCHALE	VASCETTA RACCOLGIOCCE
15	VOLANTE SECURING KNOB	VIS PLÁSTICO	VIS PLASTIQUE	PLASTIK-EINSPRITZKNÖPE	VASCETTA IN PLASTICA
16	COMPLETE FAUCET KIT	KIT GRIFO COMPLETO	KIT ROBINET COMPLET	KOMPLETTER HEBELSATZ	KIT RUBINETTO COMPLETO
17	FAUCET BUTTON	PULSADOR GRIFO	LEVIER ROBINET	DRUCKHEBEL	PULSANTE RUBINETTO
18	SLEEVE	CARÁTULA	COUVERCLE	ABDECKUNG	CUSTODIA
19	PLATE BASE	BASE PLATO	PLATEAU CHARGEUR	PLATTENTEIL	BASE PIATTO
20	PLATE KIT	KIT PLATO	KIT PLATEAU CHARGEUR	ZUFÜHRUNGSPLETTE	KIT PIATTO



Zumex Essential Basic

Fig. 1

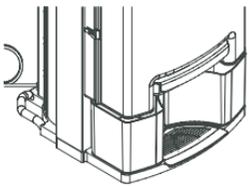


Fig. 2

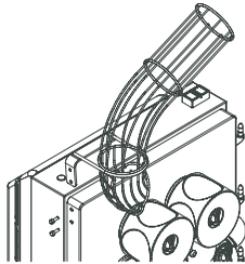


Fig. 3

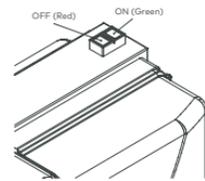


Fig. 6

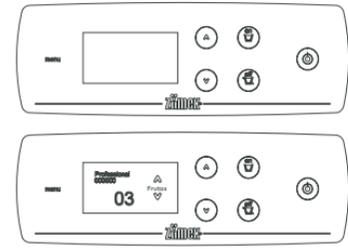
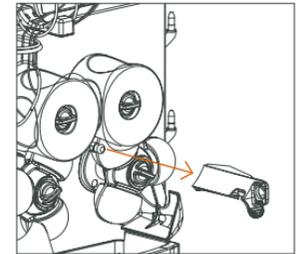


Fig. 7



Zumex Essential Pro

Fig. 4



Zumex Versatile Pro

Fig. 5

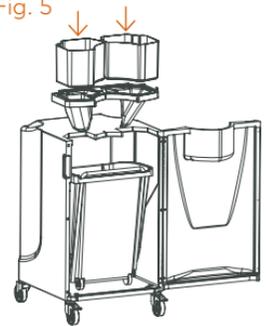


Fig. 8

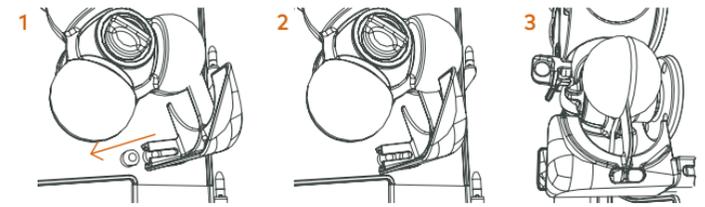


Fig. 9

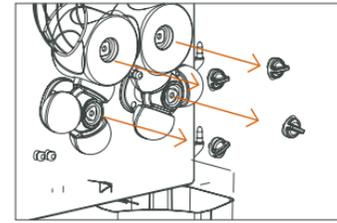


Fig. 10

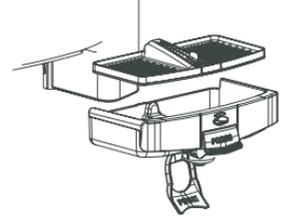




Fig. 11

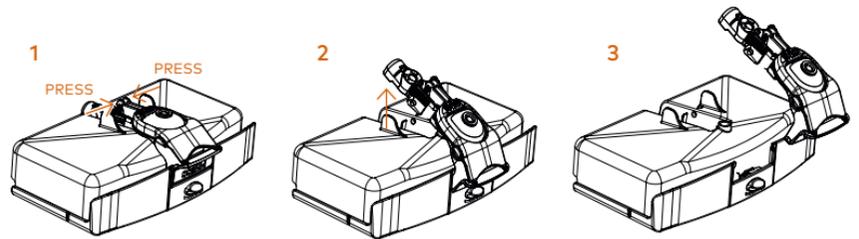


Fig. 14

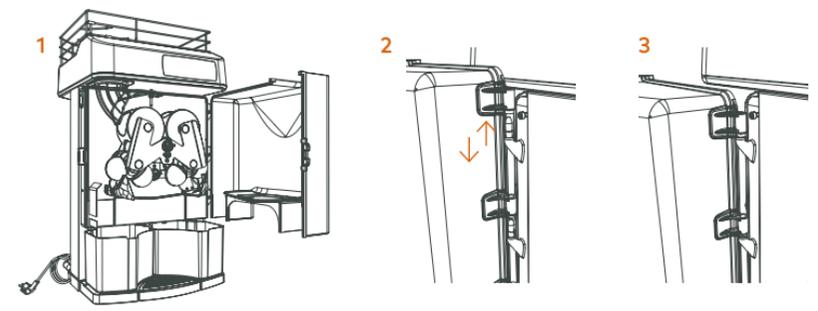


Fig. 12A

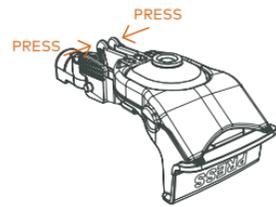


Fig. 12B

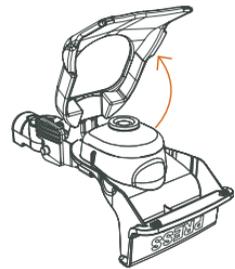


Fig. 13

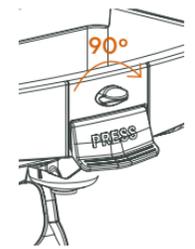


Fig. 15

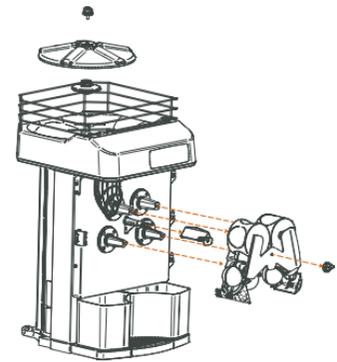




Fig. 16

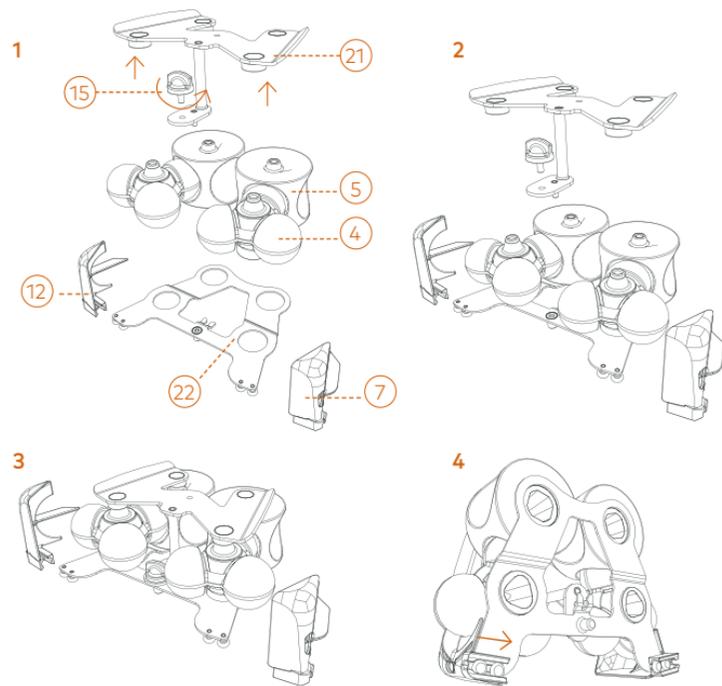


Fig. 17

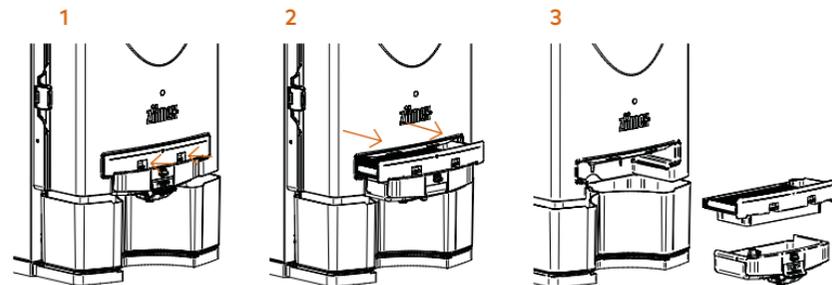
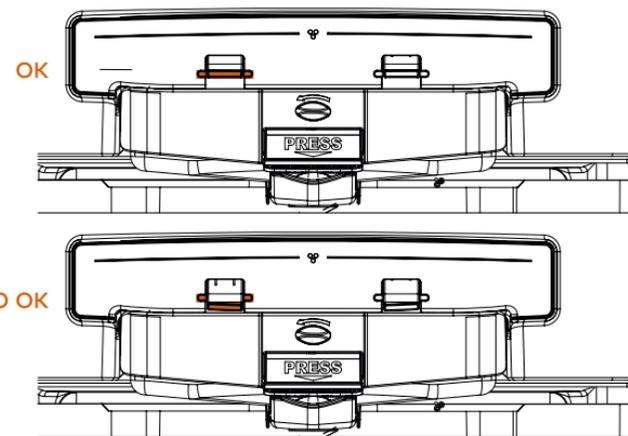
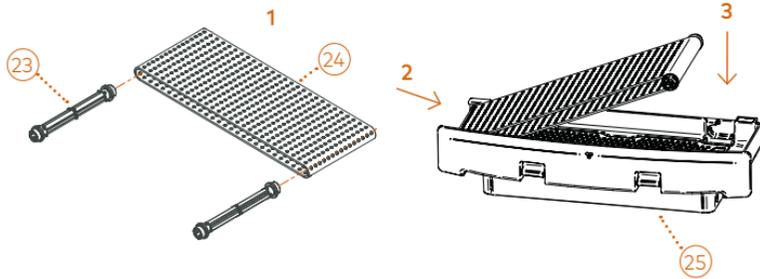


Fig. 18



EN	ES	FR	DE	IT
4	LOWER PRESSING UNIT	TAMBOR MACHO	TROMMEL MÄLE	TAMBURO MASCHIO
5	UPPER PRESSING UNIT	TAMBOR HEMBRA	TROMMEL FEMELLE	TAMBURO FEMMINA
7	RIGHT PEEL EJECTOR	CUÑA EXTRACTORA DERECHA	TAQUET D'EXTRACTION DROIT	ENTSAFTERKEIL RECHTS
12	LEFT PEEL EJECTOR	CUÑA EXTRACTORA IZQUIERDA	TAQUET D'EXTRACTION GAUCHE	ENTSAFTERKEIL LINKS
15	PLASTIC SECURING KNOB	VOLANTE PLÁSTICO	VIS PLASTIQUE	PLASTIKENSPRITZKNOPF
21	FRONT HOLDER	SOPORTE DELANTERO	VORDEREN HALTER	VOLANTE IN PLASTICA
22	REAR HOLDER	SOPORTE TRASERO	HINTEREN HALTER	SUPPORTO ANTERIORE
		SUPPORT ARRIERE		SUPPORTO POSTERIORE

Fig. 19



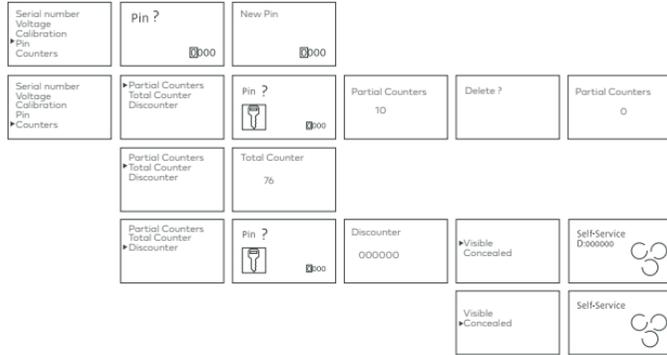
	EN	ES	FR	DE	IT
23	ROLLER	RODILLO	ROULEAUX	WALZEN	RULLI
24	CONVEYOR BELT	CINTA TRANSPORTADORA	TAPIS ROULANT	TRANSPORTBAND	TRASPORTATORE
25	FRAME	BASTIDOR	CHÂSSIS	GESTELLS	TELAIO

Summary of Zumex Essential Pro and Versatile Pro Operating Modes

Working mode Configuration Technical Service	Self-Service Professional	Self-Service 000000	
	Self-Service Professional	Professional 000000 03	
Working mode Configuration Technical Service	Lighting Language Waste limit Pulp-out	Lighting 	
	Lighting Language Waste limit Pulp-out	Language English 1/23	
Working mode Configuration Technical Service	Lighting Language Waste limit Pulp-out	Waste limit 000	000 = OFF >000=ON
	Lighting Language Waste limit Pulp-out	Discontinuous Continuous Autoclean	Off Slow Regular Fast
		Discontinuous Continuous Autoclean	Off On
		Discontinuous Continuous Autoclean	Off On
Working mode Configuration Technical Service	Serial number Voltage Calibration Pin Counters	Serial number 0000	
	Serial number Voltage Calibration Pin Counters	Voltage 231	
	Serial number Voltage Calibration Pin Counters	Calibration value Offset value Calibration	Calibration value 97
	Calibration value Offset value Calibration	Offset value 30	
	Calibration value Offset value Calibration	Pin ? 0000	Calibration Calibration?
			Calibration
			Calibration 85



Summary of Zumex Essential Pro and Versatile Pro Operating Modes





This manual refers to the following models:

Countertop models	Zumex Essential Basic
	Zumex Essential Pro
	Zumex Versatile Basic
	Zumex Versatile Pro
Models with podium	Zumex Versatile Pro All-in-One



Extend your warranty to 5 years

By registering your product on our website within the first 3 months



Register your product here

Zumex Essential I Versatile

User's manual

Please read the instructions carefully in order to make the most of your machine.

General index

Figures/Display	3
Summary of Zumex Essential Pro and Versatile Pro Operating Modes	15
Important general information	20
Technical features	23
Usage instructions	24
Preparation	24
Operation	24
Cleaning	31
1Step Extraction Kit	35
Elevation kit	36
Accessories	38
Fault detection	39
EU declaration of conformity	143

Important general information

Before you start, we recommend you to take the following precautions into account:

- The specific details about your Zumex juicer (voltage, frequency and other data of interest), can be found on the Identification Label attached to the actual machine.
- Remember that if you have any technical queries, you should get in touch with your Regular Dealer / Official Technical Support Service, always stating the Serial Number on the machine Identification Label.
- Zumex adopts the necessary measures to ensure that the machines placed on the market are selectively collected and managed in an environmentally respectful manner. Please contact your authorised Zumex dealer to correctly dispose of these machines.
- **Do not manipulate the machine in such a way that it works without safety elements.**
 - These appliances are intended to be used for commercial applications, for example in kitchens of restaurants, canteens, hospitals and in commercial enterprises such as bakeries, etc., but not for continuous mass production of food.
 - The appliance is not intended to be cleaned with a water jet or a steam cleaner.
 - This appliance can be used by children over the age

of 8 or older, or by people with impaired physical, sensorial or mental capacities or who lack experience or knowledge, if they are supervised or have received adequate training with respect to the safe operation of the appliance and they understand the risks entailed.

- Children should be supervised to make sure they do not play with the appliance.
- The cleaning and maintenance to be performed by the user must not be carried out by children without supervision.
- This machine contains an equipotential terminal on the rear to connect the Earth Tap of other appliances to the Earth Tap of your installation through this terminal. If you use it, slacken the nuts and washers, couple the Earth Tap cable of the auxiliary appliance and firmly tighten the nuts and washers again. This equipotentiality point is indicated with the following symbol:



- Do not use other different fruit to that specified in the manual.

- When you clean, perform maintenance or replace parts, make sure that you have always unplugged the power cable from the socket and it is visible.
- Use the cutting elements with great care, to avoid possible cuts.
- The parts that are in contact with food must be cleaned according to the instructions that you can read in the cleaning chapter.
- If the power cable is damaged, it must be replaced with a cable or special unit to be supplied by the manufacturer or by the after-sales service in order to avoid a hazard.

The instructions may be updated. You can consult the updated instructions on our website www.zumex.com, in the section of the selected model.

If you have any suggestions or comments that you believe may improve our machines or service network, please get in touch with Zumex directly at the address below:

ZUMEX GROUP, S.A.
 Polígono Ind. Moncada III C/Molí 2. 46113 Moncada. Valencia. Spain.
 Tel. +34 961 301 251 · Fax: +34 961 301 255
zumex@zumex.com / www.zumex.com
ZUMEX SERVICE
INT: Tel. +34 960 800 999 · service@zumex.com
UK: Tel. +44 2035191292 · service.uk@zumex.com
USA: Tel. 1 877 986 3982 · service.usa@zumex.com

Technical Features

	Essential Basic	Essential Pro	Versatile Basic	Versatile Pro
Oranges per minute:	22		22	
Dimensions (cm/inch):	47x50x88 cm 18.5"x19.7"x 34.6"	47 x 50 x 75 cm 18.5"x 19.7"x 29.5"	48 x 55 x 85,5 cm 18.9"x 21.7"x 33.7"	48 x 55 x 89 cm 18.9"x 21.7"x 35.1" All-in-One 48 x 55 x 169.5 cm 18.9"x 21.7"x 66.7"
Net Weight (Kg/lb):	45 Kg 99,2 lb	45,75 Kg 100,8 lb	54 Kg 119 lb	55 Kg 121,3 lb All-in-One 55+35 Kg = 90 Kg 121,3+77,2=198,5lb
Consumption and Voltage:	380 W : • 220-240 V 60 Hz • 100-120V 60 Hz	320 W : • 220-240 V 50 Hz • 100-120 V 50 Hz	380 W : • 220-240 V 60 Hz • 100-120V 60 Hz	320 W : • 220-240 V 50 Hz • 100-120 V 50 Hz
Protection:	IPX4		IPX4	
Safety:	Dual magnetic safety sensor. Electronic motor protection.		Dual magnetic safety sensor. Electronic motor protection.	Triple magnetic safety detector. Electronic motor protection.
Size of fruit:	65-81 mm (45-67 mm with Kit S)		65-81 mm (45-67 mm with Kit S)	
Anti-drip system:	NO	YES	NO	YES

Preparation

To start squeezing you must follow the steps below:

- 1 Unpack your juicer and place it on a surface as horizontal as possible.
- 2 Ensure that the mains power falls within the margins indicated on the Identification Label of the machine which you will find both on the cover page of this manual as well as on the machine itself.
- 3 Place the peel buckets as indicated in Fig. 1 and 4.
- 4 Make sure that the juice container, the filter and the sweeper unit (Versatile Pro) are correctly positioned. and that the cover is closed and secured by the catch.

ZUMEX ESSENTIAL BASIC. Before starting the unit, place the orange feeding tube in the position shown on Fig. 2. Use the 4 mm Allen key supplied with the machine.

If you have acquired a juicer with a podium, you must place the juicer on the podium, screw it as indicated in the instruction supplied on the podium. Don't forget to secure the front wheels. Then place the hopper and the peel buckets with an open base which you will find inside the stand (Fig. 5).

Operation

Essential Basic

Place a glass / jug under the juice outlet and press the green button (Fig. 3). The machine will start to operate when you press the button. To stop the juicer, press the red button.

Essential Pro y Versatile Pro

Once the previous steps have been followed, connect the connecting plug to a socket base fitted with a standardized ground. And press the sleeve button  to start up the machine. When you turn on the machine for the first time after purchase, a message will appear: "Select language" in order to select the operating language of the machine.

The choice can be made using the arrows ▲▼ and pressing "ON". Once selected, the machine will be ready for operation in "Self-Service" mode.

As a general rule, to operate within the menu, we can regard the "ON" button as accept and "OFF" as cancel.

Operating Modes with Zumex Essential Pro

Zumex Essential Pro can work in two operating modes:

Autostart: The machine detects the oranges in the feeder tube and starts up as the oranges pass by.

Self-service: The machine starts up by activating the self-service faucet either by pressing the faucet or by activating the switch lever; in order to be able to operate with this switch lever see Fig. 12A and 12B. In this mode you can also work continuously by turning the faucet block 90° (Fig. 13).

Selection of operating mode:

- 1 Press the MENU key for a few seconds to enter the programming mode.
- 2 Select the WORKING MODE option by positioning the cursors ▲▼ over it and pressing ON to confirm your selection.
- 3 Select the desired working mode, Autostart or Self-Service using the cursors ▲▼ and press on to confirm your selection. Press OFF several times until you exit MENU.

Operating Modes with Zumex Versatile Pro

Zumex Versatile can operate in two working modes:

Professional: You can programme the no. of oranges to be squeezed in each cycle using the cursors ▲▼, and you can programme up to 20 oranges in each cycle or select the 'c' option to squeeze continuously. The squeezing will start by pressing 'ON' and it will end after ceasing to squeeze the no. of oranges programmed or if you press 'OFF'.

Self-service: The machine starts up by activating the self-service faucet either by pressing the faucet or activating the switch lever. You can also work continuously in this mode by turning the faucet block 90° (Fig. 13).

Selection of the operating mode:

- 1 Press the MENU key for a few seconds to enter the menu.
- 2 Select the WORKING MODE option by positioning the cursors ▲▼ and pressing ON to confirm your selection.
- 3 Select the desired working mode, Professional or Self-Service using the cursors ▲▼ and pressing ON to confirm your selection. Press OFF several times until you exit MENU.

Configuration

Your Zumex juicer allows you to adjust the parameters according to your preferences. All adjustments are made at MENU > CONFIGURATION. Press the MENU key for a few seconds to enter the menu and select CONFIGURATION, press ON to confirm your selection.

Lighting: Changes the screen brightness level.

On the CONFIGURATION menu select LIGHTING and press ON to confirm your selection. Adjust the brightness level using the cursors ▲▼. Once adjusted, confirm by pressing ON. The changes will be memorised.

Language: Changes the juicer menu language.

On the CONFIGURATION menu select LANGUAGE and press ON to confirm your selection. Select the language desired using the cursors ▲▼. Once selected confirm by pressing ON. The changes will be memorised.

Waste limit: Activate or deactivate the waste limit. Use the arrows to set a value ▲▼. The waste limit is deactivated if the counter is left at 000. If a number between 001 and 999 is entered, the waste limit will give an alert once that number of oranges has been juiced, to proceed to emptying of the bucket and cleaning of the machine.

PulpOut System: You can activate the Automatic PulpOut System for automatic pulp and seed removal. You can choose between continuous and non-continuous modes.

Continuous mode, eliminates pulp whenever the machine is juicing. It means

the system runs automatically and therefore means that you can go longer between cleans.

Non-continuous mode, means a longer amount of time for the pulp to be filtered. You can choose how often the system is activated depending on the type of fruit used and the quantity of pulp created. Fast frequency will mean that the system is activated more often.

The conveyor belt will run on the following settings:

SLOW	REGULAR	FAST
20 oranges	15 oranges	10 oranges

What is more, you can activate the "Self cleaning" option which means that the belt will be cleaned automatically after the last juicing. In non-continuous mode the "Self cleaning" function will activate 30 seconds after the last use.

On your Display Digital, you will see symbols such as these:



Auto

Continuous Mode



Auto

Continuous Mode with "Self Cleaning"



Non-continuous mode with "Self Cleaning"

! **Note:** Remember that if you press OFF, you will cancel any changes made before and you will return to the previous menu.



Technical Service

The Zumex Essential Pro and Versatile Pro juicers provide you with the information you need for correct unit maintenance. They are also fitted with a squeezed orange counter which can be configured in this mode. Press the MENU key for a few seconds to enter the menu and select TECHNICAL SERVICE, press ON to confirm your selection and OFF to return to the previous menu.

Serial number: This shows you your juicer's serial number which is essential for any TECHNICAL SERVICE consultation.

On the TECHNICAL SERVICE menu select SERIAL NUMBER and press ON to confirm your selection. You can see the serial number on the screen. Return to the previous menu by pressing OFF.

Voltage: This shows you the mains voltage at the time of the consultation, vital for any Technical Assistance Service.

On the TECHNICAL SERVICE menu select VOLTAGE and press ON to confirm your selection. You can view the voltage on the screen. Return to the previous menu, pressing OFF.

Calibration: This shows you the calibration value of your machine which must be adjusted in exceptional cases when the counter is not counting correctly. This information is vital for any Technical Assistance consultation. It also lets you change the values manually. This procedure must only be carried out at the indication and with the aid of an authorised Technical Assistance Service.

Calibration value: On the TECHNICAL SERVICE menu select CALIBRATION > CALIBRATION VALUE and press ON to confirm your selection. You can view the calibration number on the screen. Return to the menu, pressing OFF.

Offset Value: On the TECHNICAL SERVICE menu select CALIBRATION > OFFSET VALUE and press ON to confirm your selection. You can view the offset number on the screen. Return to the menu, pressing ON.

Calibrate: Select CALIBRATE and press ON. Next, set your PIN number and press ON. The machine will ask for confirmation: 'Calibrate?', press 'ON' to confirm the automatic calibration. The machine will then carry out said calibration and display the adjusted calibration value. Return to the menu, pressing OFF.

This option must only be carried out under the supervision of the Technical Service and when it has been specifically indicated.

Pin: Your juicer has a password so you can access the counters and modify configuration parameters. The standard programmed PIN is 0000 but you can personalise this PIN. On the TECHNICAL SERVICE menu select PIN and press ON to confirm your selection. If this is the first time you have changed your PIN, the standard PIN 0000 will appear and press ON; if you have already programmed a password previously, enter the old password, use the cursors ▲▼ to select each digit, press OFF to move from digit to digit and ON to confirm the password. Upon entering the correct PIN the "New PIN" screen will appear. Programme the new password, select each digit with the cursors ▲▼, press OFF to move from digit to digit and ON to confirm the new PIN.

If you forget the Pin number programmed, you will be required to reset machine's MENU. In order, to do that, enter CONFIGURATION press ▲ button, and while pressed, press ▼ button simultaneously.

Counters: You can control the counter and discounter of your juicer. The counter allows you to establish the no. of oranges squeezed, the discounter function allows you to programme a given no. of oranges and gradually consume oranges from this total.

Partial counter: This shows you the no. of oranges consumed and it can be set to zero. On the TECHNICAL SERVICE menu select COUNTERS > PARTIAL COUNTER and press ON to confirm your selection. Enter your PIN (Remember: Select each digit with the cursor ▲▼, press OFF to move from digit to digit and ON to confirm the password). You can view the number of oranges squeezed on the screen. To set the counter to zero press ▼ and confirm using ON and on the machine display you will see that the counter has been set to zero. Return to the menu, pressing OFF repeatedly.

Total counter: This shows you all the oranges consumed throughout the life of the juicer, this counter cannot be deleted.

On the TECHNICAL SERVICE menu select COUNTERS > TOTAL COUNTER and press ON to confirm your selection. You can view the number of oranges on the screen. Move up to the upper menu by pressing OFF.

Discounter: This allows you to programme a given no. of oranges and gradually consume oranges from this total. On the TECHNICAL SERVICE menu select COUNTERS > DISCOUNTER and press ON to confirm your selection. Enter your PIN (Remember: Select each digit using the cursors ▲▼, press OFF to move from digit to digit and ON to confirm the password) and you will enter the discounter menu. Programme each digit of the discounter using the cursors ▲▼ and after each digit press OFF to move on to the next one and repeat this action for each digit; on the last digit press ON and the selection will be memorised automatically. Then select whether you want the discounter to be visible or not on the main menu (visible/concealed option). Return to the menu, pressing OFF repeatedly.

- ! Once the discounter is at zero, the juicer will stop until a new sum of oranges is loaded or a change is made to the counter function, entering the "MAIN COUNTER" menu and confirming by pressing ON.
- ! When the visible discounter has been programmed, a 'D' will appear on the normal operating screen in front of the counter digits. If the concealed discounter has been programmed, no figure will be displayed.

Cleaning

Zumex recommends cleaning the machine at least once or twice a day, depending on how much it is used in order to maintain optimal food hygiene conditions.

Zumex recommends using **Zumex Citric Active Detergent™**, which is specially designed to clean citrus juicers with a high descaling effect for wax and pulp.

For correct cleaning you must follow the steps below:

! WARNING! Turn the machine off at the mains before cleaning process.

Essential Basic, Essential Pro

- 1 Disassemble the **container** (Fig. 10) by removing it using both hands and pulling it outwards. To assemble it again, hold the **container** with both hands and position it on the guide rails of the cover and push it until it is fully inserted.
- ! **Important:** If the container is not correctly assembled, the machine will not be activated. If the juice container contains a filter and juice residue; handle with care to avoid accidentally spilling juice or dropping the filter.
- 2 Disassemble the filter by pulling the tab.
- 3 Empty its contents and place it upside down on a flat surface.
- 4 Press the plastic pins of the **tap** and remove the pivots inserted in the container (Fig. 11). Remove the back part first and then remove the front part. To assemble, follow these steps in reverse order: first, insert the front part into the container, then press the pins until the pivots fit into the holes of the container. Lightly pull the faucet to check that it has been correctly inserted.
- 5 Remove the front cover by opening the side catch (Fig. 14). Turn the cover 90° to the right until it is outside the feeder. Pull upwards until it is released from the hinges. To assemble it again, hold the cover firmly with both hands and mount it in its fully open position, taking care to insert the three hinges into their holes. Close the cover and lock its position.
- ! **Important:** Always disassemble the container before removing the cover. Do not remove the cover until it is in its fully open position. Avoid carrying weight on the cover as this could strain the hinges. Ensure that the cover is correctly inserted in its three hinges before closing it.

6 Remove the blade holder (Fig. 7) by pulling it towards you using the handle.

! WARNING! handle this piece very carefully as you could cut yourself.

7 Pull the ejectors out until it is completely free from the machine (Fig. 8). To assemble them again, place the ejectors on the corresponding side and insert them onto the knobs. Push the ejector until the blade is fully inserted into the lower pressing unit and the channel makes contact with the second knob.

Important: Remove the ejectors before removing the pressing units of the juicer. If the ejector is not correctly installed as indicated above, the part may be damaged when the machine is in operation.

8 Remove the pressing units in pairs, after having unscrewed the knobs that hold them in place (Fig. 9).

Versatile Pro

1 Dismount the container unit and PulpOut in one step. To do so, press the front buttons on the PulpOut (Fig. 17) until both parts of the cover are released, sliding it all outwards.

To assemble it again, hold the container with both hands and position it on the guide rails of the cover and push it until it is fully inserted. Then press both upper sides of the PulpOut until both buttons move outwards and sit in line with the protruding lines on the front (Fig. 18)

! Important: If the container is not correctly assembled, the machine and the PulpOut cannot be activated.

2 Remove the PulpOut from the container. (Fig. 17.3)

3 Place the PulpOut system on a smooth surface, place your fingers on the inside of the right roller of the sweeping belt and push it outwards to release it. (Fig. 19) Pull out the sweeping belt together with the other roller and remove both parts. To assemble it again, put the rollers into the belt, insert the left roller at the side of the PulpOut and then stretch the belt to insert the right roller.

4 Disassemble the filter by pulling the tab.

5 Empty contents of the container and place it upside down on a flat surface.

6 Press the plastic pins of the tap and remove the pivots inserted in the container (Fig. 11). Remove the back part first and then remove the front part. To assemble, follow these steps in reverse order: first, insert the front part into the container, then press the pins until the pivots fit into the holes of the container. Lightly pull the faucet to check that it has been correctly inserted.

7 Remove the front cover by opening the side catch (Fig. 14). Turn the cover 90° to the right until it is outside the feeder. Pull upwards until it is released from the hinges. To assemble it again, hold the cover firmly with both hands and mount it in its fully open position, taking care to insert the three hinges into their holes. Close the cover and lock its position.

! Important: Always disassemble the container before removing the cover. Do not remove the cover until it is in its fully open position. Avoid carrying weight on the cover as this could strain the hinges. Ensure that the cover is correctly inserted in its three hinges before closing it.

8 Remove the 1Step Kit (Fig. 15-16) from the machine. First, check the assembly and disassembly instructions in the following section *1Step Extraction Kit*.

There are two possibilities when cleaning:

- Complete cleaning: once the unit has been removed from the machine, get rid of extra pulp and peel if there is any washing it with water and if necessary, a mild soap. The whole unit is also dishwasher safe.
- Deep cleaning: all of the components can be removed and can be cleaned individually. Zumex recommend this type of deep cleaning at least once a week depending on how much usage the machine gets.

9 Remove the Blade holder (9) and clean it carefully taking care not to hurt yourself.

- The plastic parts of the squeezing system are suitable for cleaning in a dishwasher.
- We do not recommend cleaning the cover and the juice container using the dishwasher. Follow this recommendation to increase their durability. To clean both parts, use a soft cloth soaked in water and Citric Active or food-grade soap. Under no circumstances should you use abrasive or anti-lime products.
- The juice tap and tray must be separated for their correct cleaning, preventing dirt from accumulating between both. The tap may be cleaned in the dishwasher.
- When cleaning the squeezing and cover area you should use a soft cloth dipped in water and washing-up liquid. Then rinse thoroughly in clean water so no soap remains.
- Once the cleaning process has finished, you must assemble all the elements in reverse order to their disassembly. Make sure that all the parts have been correctly assembled and secured.
- Remember that each peel ejector (Fig. 8) only fits on one side and so they are not interchangeable. When you place them make sure that you insert the peel ejector paddle right down to the end of the lower pressing unit.
- In order to avoid the accumulation of wax it is important to clean the fruit feeder frequently of Zumex Versatile Pro models.
- On models with a base stand clean the hopper and the inside of the stand, making sure to eliminate any peel or pulp remains.

1Step Extraction Kit

This device allows for easy insertion and removal of the pressing units and peel ejectors in just one step (Fig. 15).

Before installation remember to insert the Blade holder (9).

To install, line up the pressing units with the shafts and adjust their position while sliding them in. Use the central knob to attach the device to the machine.

Note: To remove simply reverse the process.

Assembly of the 1Step Kit (Fig. 16)

- Place the rear holder (22) on a surface. The metal ejector holders should be face down.
- Match up the lower and upper pressing units (4 and 5). Line up the circular bases of the pressing units with the holes on the holder. Note that the faces of the pressing units are different. Ensure to mount them as shown in the figure.
- Line up the protruding cones of the pressing units with the four circular bushes on the front holder (21).
- Join both holders with the plastic securing knob (15).
- Turn the 1step kit 180° and line up the ejectors (7 and 12) with the ejector holders, inserting the extractor blade into the seal of the lower pressing unit. Ensure that both holders are inside the ejector channel as shown in image 4.

Disassembly of the 1Step Kit (Fig. 16)

- From the position shown in image 4, pull the ejectors (7 and 12) sideways to remove them from the metal holders.
- Turn the kit 180° and unscrew the plastic securing knob (15), which is located behind the pressing units and holds both metal holders (21 and 22).
- Carefully pull the front holder (21).
- Separate the lower pressing unit (4) and the upper pressing unit (5).

Note: To clean the unit, refer to the Cleaning section.

Elevation Kit

This Zumex machine has an Elevation Kit to make it easier to clean the surface where it is located. Elevation Kit ref. 05230* is not included in this model, it is available in the machine accessory catalogue.

This Kit must be mounted according to the following instructions:

Components



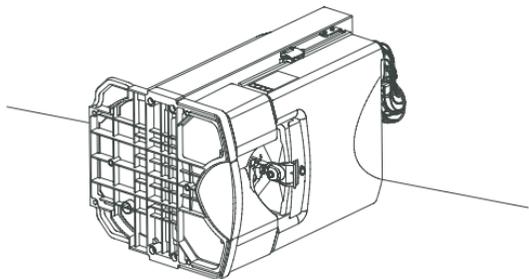
Legs	4
Adhesive felt disc	4
Screw-in stud	4

Installation

The machine comes prepared for this Kit to be simply and quickly installed.

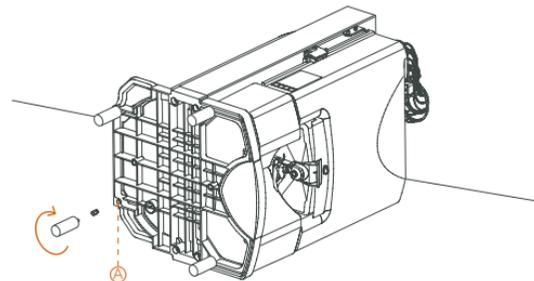
1 Place machine in assembly position.

Carefully place the machine on one of its sides, previously protecting this area to prevent damage to the machine. This operation must be carried out between two people, so that the base of the machine is in view, facilitating the work process.



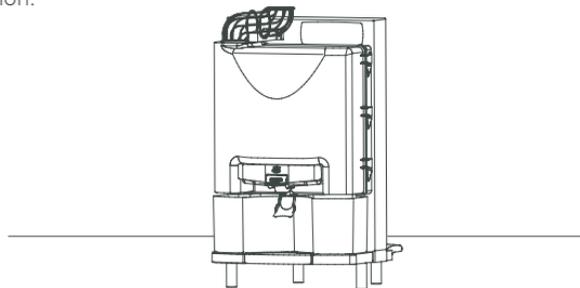
2 Fit the Elevation Kit legs.

There are four holes on the base of the machine, where the legs go. The legs are supplied with some screw-in studs that are already fitted into the ends of the legs. We must fully insert them into the holes (A) on the base and then screw the legs in as far as they will go. Once this operation has been carried out with all four legs, these can be mounted and removed when required without the screw-in studs coming out of their housing.



3 Put the machine back into its working position.

Carefully stand the machine back up again leaving it in its working position.



Accessories

There is a wide range of accessories available for you to make the most of your machine:

1Step Extraction Kit

With this accessory you will be able to dismantle the machine in just 10 seconds and clean it under the tap or in the dishwasher.

Kit S / 1Step Extraction Kit S

To juice fruit that has a diameter of 45 mm to 67 mm.

Countertop Kit

Integrates waste management keeping things practical and clean.

Elevation kit

This Zumex machine has an Elevation Kit to make it easier to clean the surface where it is located.

Bottle holder

Enables convenient filling of bottles. Suitable for bottles with 38 mm, 36 mm and 34.4 mm necks.

Basket closure and cover

Cover and protect the fruit basket for improved hygiene.

Bottle racks

Dispense bottles, cups or glasses for self-service.

Citric Active

Detergent for food use, formulated to remove pulp and waxes.

Zumex Pack

For packing fresh drinks for sale. There are 4 formats (1 l, 50 cl, 33cl and 25 cl), with a Zumex or customised label.

Detecting Faults

Fault	Possible cause	Correction
The machine doesn't work	Machine not plugged in.	Plug it in.
	No power is reaching the plug.	Check the socket.
	Cover not fitted properly.	Make sure it has been fit properly.
	Juice container not fitted properly.	Make sure it has been fit properly.
	Blocked pressing units.	Turn off the machine at the mains and unblock the pressing units.
	Safety sensors malfunctioning.	Contact your technical service.
	Faulty ON/OFF button.	Contact your technical service.
The machine blocks frequently during juicing	Faulty circuit.	Contact your technical service.
	Insufficient voltage.	Check that the voltage matches that indicated in the manual.
The pressing units are not synchronized	Faulty circuit.	Contact your technical service.
	Fault in an axle.	Contact your technical service.
Peel ejector breaks	Peel ejector incorrectly fitted.	Place it in its correct position inserting it totally until observing it has made contact (Fig. 8)
You can hear the motor running but the pressing units are not turning	Internal fault.	Contact your technical service.

Consult further information about accessories at www.zumex.com

Fault	Possible cause	Correction
The faucet gets blocked	The juice has seeds or too much pulp.	Disassemble and clean the faucet according Fig. 11A.
The machine stops every now and again	Insufficient ventilation.	Check that the appliance's ventilation grilles are not blocked.
	Overload.	Contact your technical service.
Screen does not display information	Alteration to mains systems.	Turn off the machine and turn it back on again.
The machine is in self-service mode and won't stop operating	Faucet not fitted or fitted incorrectly.	Fit the faucet in the manner indicated in Fig. 11A
	Faucet well fitted: possible internal fault.	Contact your technical service.
	Faucet block activated.	Put the block in horizontal position by pressing the faucet downwards.
The sweeper motor does not turn	Pulp-out deactivated	Activate the PulpOut in continuous or intermittent mode
	Check that the PulpOut system is active	Notify Technical Service

WARNING: Any action to unblock the machine must be carried out by disconnecting it from the mains. If, after making the checks stated here, the machine does not work, call the technical service.

Screen Messages

Display Message	Cause	Correction
Excess current	The maximum electrical consumption level has been exceeded for at least one second.	Turn off at mains and turn back on again.
No oranges	The motor remains on for two minutes detecting any squeezing.	Put oranges back in feeder again without and press ON.
Memory initiated	A memory error has been detected.	Contact your technical service.
Calibration	An incorrect calibration value has been detected.	Calibrate.
Out of service	The counter has reached zero.	Modify the discounter value as indicated in page 21 or move on to counter function entering PARTIAL COUNTER and pressing ON.
Eeprom	Error detected in EEPROM memory.	Contact your technical service.
Out of range	The input power voltage is less than 80V or greater than 260V.	Contact your technical service.
Keyboard error (error 1)	No communication with the keyboard (Internal fault).	Contact your technical service.
Juice tray picture flashing	Check the juice tray and front cover are placed correctly.	Place the tray and cover in its correct position as Fig. 4. If the picture does not disappear, contact your technical service.
Waste limit	Waste bucket full according to the oranges specified.	Empty the waste bucket and clean the machine.

*The message: "Keyboard error" may not appear on the display as there is no communication between the CPU and the keyboard panel



El siguiente manual hace referencia a los modelos:

Modelos de sobremesa	Zumex Essential Basic
	Zumex Essential Pro
	Zumex Versatile Basic
	Zumex Versatile Pro
Modelos con podium	Zumex Versatile Pro All-in-One



Amplía tu garantía a 5 años

Registrando tu producto en nuestra web en los 3 primeros meses.



Registra aquí tu producto

Zumex Essential I Versatile

Manual de usuario

Por favor, lea detenidamente las instrucciones para sacarle el máximo rendimiento a su máquina.

Índice general

Figuras/Display	3
Resumen de los Modos de Funcionamiento Zumex Essential Pro y Versatile Pro	15
Información general importante	44
Características técnicas	47
Instrucciones de utilización	48
Preparación	48
Funcionamiento	48
Limpieza	55
Kit de Extracción 1Step	59
Kit elevación	60
Accesorios	62
Detección de averías	63
Declaración UE de conformidad	143

Zumex se reserva el derecho a modificar sin previo aviso la información contenida en este manual.

Información general importante

Antes de comenzar, le recomendamos que tenga en cuenta las siguientes precauciones:

- Los datos específicos de su exprimidora Zumex (tensión, frecuencia, y otros datos de interés), se encuentran en la Etiqueta de Identificación que encontrará en la propia máquina.
- Recuerde que para cualquier consulta técnica, debe ponerse en contacto con su Distribuidor habitual / Servicio de Asistencia Técnica Oficial, mencionando siempre el Número de Serie de la Etiqueta de Identificación de la máquina.
- En el territorio español Zumex adopta las medidas necesarias para que las máquinas puestas en el mercado sean recogidas de manera selectiva y tengan una correcta gestión ambiental. Por favor, póngase en contacto con su distribuidor autorizado de Zumex para desechar correctamente estas máquinas.
- **No manipule la máquina para hacerla funcionar sin ningún elemento de seguridad.**
- Estos aparatos están destinados a ser utilizados para aplicaciones comerciales, por ejemplo, en cocinas de restaurantes, cantinas, hospitales y en empresas comerciales como panaderías, etc., pero no para la producción continua masiva de alimentos.
- El aparato no debe limpiarse con chorros de agua o un limpiador a vapor.

- Este aparato pueden utilizarlo niños con edad de 8 años y superior y personas con capacidades físicas, sensoriales o mentales reducidas o falta de experiencia y conocimiento, si se les ha dado la supervisión o formación apropiadas respecto al uso del aparato de una manera segura y comprenden los peligros que implica.
- Los niños deberían ser supervisados para asegurar que no juegan con el aparato.
- La limpieza y el mantenimiento a realizar por el usuario no deben realizarlos niños sin supervisión.
- Esta máquina contiene en la parte posterior un borne equipotencial para la conexión de la toma de tierra de otros aparatos a la toma de tierra de su instalación a través de esta borna. En caso de utilizarla, afloje las tuercas y arandelas, coloque el cable de toma de tierra del aparato auxiliar y vuelva a apretar las tuercas y arandelas fuertemente. Dicho punto de equipotencialidad viene marcado por el símbolo siguiente:



- No utilice frutas diferentes a los especificados en el manual.

- Durante la limpieza, mantenimiento o sustitución de partes asegúrese que siempre tiene la clavija del cable de alimentación retirada de la toma de corriente y visible.
- Utilice los elementos de corte con mucho cuidado, para evitar posibles cortes.
- Las partes que están en contacto con alimentos deben ser limpiadas según las instrucciones que podrá leer en el capítulo de limpieza.
- Si el cable de alimentación está dañado, debe ser sustituido por un cable o conjunto especial a suministrar por el fabricante o por su servicio postventa con el fin de evitar un peligro.

Las instrucciones pueden actualizarse. Puede consultar las instrucciones actualizadas en nuestra página web www.zumex.com, dentro del modelo de máquina escogido.

Si tiene cualquier sugerencia o comentario para mejorar nuestras máquinas o red de servicio, le agradeceríamos que contactase directamente con Zumex en la siguiente dirección:

ZUMEX GROUP, S.A.

Polígono Ind. Moncada III C/Molí 2. 46113 Moncada. Valencia. España.

Tel. +34 961 301 251 · Fax: +34 961 301 255

zumex@zumex.com / www.zumex.com

ZUMEX SERVICE

ES: Tel.+34 960 800 999 · service@zumex.com

MX: Tel.+52 55 5106 6351 · service.mx@zumex.com

LATAM: Tel.+52 55 5106 6351 · service.latam@zumex.com

Características Técnicas

	Essential Basic	Essential Pro	Versatile Basic	Versatile Pro
Naranjas por minuto:	22		22	
Dimensiones (cm/inch):	47x50x88 cm 18.5"x19.7"x 34.6"	47 x 50 x 75 cm 18.5"x 19.7"x 29.5"	48 x 55 x 85,5 cm 18.9"x 21.7"x 33.7"	48 x 55 x 89 cm 18.9"x 21.7"x 35.1" All-in-One 48 x 55 x 169.5 cm 18.9"x 21.7"x 66.7"
Peso Neto (Kg/lb):	45 Kg 99,2 lb	45,75 Kg 100,8 lb	54 Kg 119 lb	55 Kg 121,3 lb All-in-One 55+35 Kg = 90 Kg 121,3+77,2=198,5lb
Consumo y voltaje:	380 W : • 220-240 V 60 Hz • 100-120V 60 Hz	320 W : • 220-240 V 50 Hz • 100-120 V 50 Hz	380 W : • 220-240 V 60 Hz • 100-120V 60 Hz	320 W : • 220-240 V 50 Hz • 100-120 V 50 Hz
Protección:	IPX4		IPX4	
Seguridad:	Doble detector magnético de seguridad. Protección electrónica del motor.		Doble detector magnético de seguridad. Protección electrónica del motor.	Triple detector magnético de seguridad. Protección electrónica del motor.
Tamaño de la fruta:	65-81 mm (45-67 mm con Kit S)		65-81 mm (45-67 mm con Kit S)	
Sistema antigoteo:	NO	SI	NO	SI

Preparación

Para comenzar a exprimir deberá seguir los siguientes pasos:

- 1 Desembale su exprimidora y colóquela sobre una superficie lo más horizontal posible.
- 2 Asegúrese de que la tensión de la red esté dentro de los márgenes indicados en la etiqueta de identificación de la máquina que encontrará tanto en la portada de este manual como en la propia máquina.
- 3 Sitúe los depósitos de cortezas tal como lo indica la Fig. 1 y 4.
- 4 Asegúrese de que la cubeta de zumo, el filtro más el conjunto barredor (Versatile Pro) estén correctamente situados y la cubierta esté cerrada y asegurada por el cierre.

ZUMEX ESSENTIAL BASIC. Antes de poner en marcha su exprimidora, tendrá que colocar el tubo alimentador de naranjas en la posición indicada en la Fig. 2. Para ello, utilice la llave Allen de 4 mm que le suministramos junto a la máquina.

Si usted ha adquirido una exprimidora con podium, deberá colocar la exprimidora sobre el podium, atorníllelo según indica la instrucción suministrada en el podium. No olvide frenar las ruedas delanteras del mismo. Posteriormente posicione la tolva y los depósitos de cortezas de base abierta que encontrará en el interior del mueble (Fig.5).

Funcionamiento

Essential Basic

Tras conectar la máquina a la red, ponga un vaso / jarra bajo la salida de zumo y pulse el botón verde (Fig. 3) La máquina comenzará a exprimir zumo al instante. Para detener el exprimido, pulse el botón rojo.

Essential Pro y Versatile Pro

Una vez seguidos los pasos anteriores, proceda a conectar la clavija de conexión a una base de enchufe provista de toma de tierra normalizada. Y pulse el botón  de la carátula para la puesta en marcha de la máquina.

Cuando active la máquina por primera vez desde su compra, le aparecerá un mensaje de "Select language:" a fin de que seleccione el idioma de operación de la máquina.

La selección se realizará utilizando las flechas   y presionando "ON". Una vez seleccionado, la máquina estará lista para operar en modo "Self-Service".

Como norma general, para operar dentro del menú, consideramos el botón "ON" como aceptar y "OFF" como cancelar.

Modos de Funcionamiento en Zumex Essential Pro

Zumex Essential Pro puede funcionar en dos modos de trabajo:

Autostart: La máquina detecta las naranjas en el tubo de alimentación y se pone en marcha al paso de las mismas.

Self-service: La máquina se pone en marcha accionando el grifo self-service ya sea presionando sobre el grifo o accionando el pulsador de palanca, para poder operar con este pulsador de palanca ver Fig. 12A y 12B. En este modo puede también trabajar en continuo girando 90° el bloqueo del grifo (Fig. 13).

Selección del modo de funcionamiento:

- 1 Pulse la tecla MENU durante unos segundos para entrar en el menú.
- 2 Seleccione la Opción MODO DE TRABAJO situándose sobre la misma con los cursores   y pulse ON para confirmar su selección.
- 3 Seleccione el modo de trabajo deseado, Autostart o Self-Service, con los cursores   pulse ON para confirmar su selección. Pulse OFF repetidamente hasta salir del MENU.

Modos de Funcionamiento en Zumex Versatile Pro

Zumex Versatile Pro puede funcionar en dos modos de trabajo:

Professional: Podrá programar el nº de naranjas a exprimir en cada ciclo con los cursores  , podrá programar hasta 20 naranjas en cada ciclo o seleccionar la opción 'c' para exprimido en continuo. El exprimido comenzará al presionar 'ON' y finalizará al terminar de exprimir el nº de naranjas programadas o si presiona 'OFF'.

Self-service: La máquina se pone en marcha accionando el grifo self-service ya sea presionando sobre el grifo o accionando el pulsador de palanca. En este modo puede también trabajar en continuo girando 90° el bloqueo del grifo (Fig. 13)

Selección del modo de funcionamiento:

- 1 Pulse la tecla MENU durante unos segundos para entrar en el menú.
- 2 Seleccione la Opción MODO DE TRABAJO situándose sobre la misma con los cursores ▲▼ y pulse ON para confirmar su selección.
- 3 Seleccione el modo de trabajo deseado, Profesional o Self-Service, con los cursores ▲▼ pulse ON para confirmar su selección. Pulse OFF repetidamente hasta salir del MENU.

Configuración

Su exprimidora Zumex le permite ajustar parámetros según sus preferencias, todos los ajustes se realizan desde MENU > CONFIGURACIÓN. Pulse la tecla MENU durante unos segundos para entrar en el menú y seleccione CONFIGURACIÓN, pulse ON para confirmar su selección.

Iluminación: Cambia el nivel de luminosidad de la pantalla.

Dentro del menú de CONFIGURACIÓN seleccione ILUMINACIÓN y presione ON para confirmar su selección. Regule el nivel de luminosidad con los cursores ▲▼. Una vez ajustado confirmamos pulsando ON. Los cambios quedarán memorizados.

Idioma: Cambia el idioma del menú de la exprimidora.

Dentro del menú de CONFIGURACIÓN seleccione IDIOMA y presione ON para confirmar su selección. Seleccione el idioma deseado con los cursores ▲▼. Una vez seleccionado confirme pulsando ON. Los cambios quedarán memorizados.

Limitador residuos (Waste limit): Activa o desactiva el limitador de residuos. Utilizar las flechas ▲▼ para asignar un valor. En caso de dejar el contador a 000, el limitador de residuos estará desactivado. En caso de introducir un número entre 001 y 999, el limitador de residuos avisará en el momento que se hayan exprimido ese número de naranjas para proceder al vaciado del cubo y limpieza de la máquina.

Sistema PulpOut: Podrá activar el Sistema PulpOut Automático para la eliminación automática de pulpa y semillas. Puede elegir entre el modo de uso continuo o discontinuo.

El **modo continuo**, elimina la pulpa durante todo el tiempo de exprimido. Alarga la autonomía del sistema, y por tanto, el tiempo de uso antes de su limpieza.

El **modo discontinuo**, permite un tiempo de filtrado de pulpa más extenso. Puede elegir la frecuencia a la que se activa el sistema, dependiendo del tipo de cítrico utilizado y la cantidad de pulpa. Una frecuencia rápida, activará el sistema en intervalos de tiempo menor.

De este modo, la cinta se pondrá en marcha, dependiendo del programa que elija, después de los siguientes ciclos de exprimido:

SLOW	REGULAR	FAST
20 naranjas	15 naranjas	10 naranjas

Además puede activar la función "Auto limpieza", que permite que se limpie la cinta automáticamente después del último exprimido. En el modo discontinuo, la función "Auto limpieza" se activa 30 segundos después del último exprimido.

En el display, estos son algunos ejemplos de representación:



Funcionamiento continuo



Funcionamiento continuo con función "Auto Limpieza"



Funcionamiento discontinuo con función "Auto Limpieza"



Nota: Recuerde que si pulsa OFF cancelará los cambios realizados previamente y regresará al menú anterior.

Servicio Técnico

Las exprimidoras Zumex Essential Pro y Versatile Pro le dan la información requerida para el correcto mantenimiento de la unidad, además de disponer de contador de naranjas exprimidas que se puede configurar en este modo. Pulse la tecla MENÚ durante unos segundos para entrar en el menú y seleccione SERVICIO TÉCNICO, pulse ON para confirmar su selección y OFF para volver al menú anterior.

Número de serie: Le muestra el nº de serie de su exprimidora, imprescindible para cualquier consulta de SERVICIO TÉCNICO.

Dentro del menú de SERVICIO TÉCNICO seleccione NÚMERO DE SERIE y presione ON para confirmar su selección. Podrá visualizar el número de serie en pantalla. Vuelva al menú anterior pulsando OFF.

Voltaje: Le muestra el voltaje que tiene la red en el momento de la consulta, imprescindible para cualquier servicio de asistencia técnica.

Dentro del menú de SERVICIO TÉCNICO seleccione VOLTAJE y presione ON para confirmar su selección. Podrá visualizar el voltaje en pantalla. Vuelva al menú anterior pulsando OFF.

Calibración: Le muestra el valor de calibración de su máquina, que es necesario ajustar en casos excepcionales en los que el contador no cuente correctamente, esta información es imprescindible para cualquier consulta de asistencia técnica. También proporciona la posibilidad de modificar los valores manualmente, este procedimiento debe realizarse sólo por indicación y con ayuda de un servicio de asistencia técnica autorizado.

Valor calibración: Dentro del menú de SERVICIO TÉCNICO seleccione CALIBRACIÓN > VALOR CALIBRACIÓN y presione ON para confirmar su selección. Podrá visualizar el número de calibración en pantalla. Vuelva al menú pulsando OFF.

Valor Offset: Dentro del menú de SERVICIO TÉCNICO seleccione CALIBRACIÓN > VALOR OFFSET y presione ON para confirmar su selección. Podrá

visualizar el número de offset en pantalla. Vuelva al menú pulsando ON.

Calibrar: Seleccione CALIBRAR y pulse ON. A continuación introduzca su PIN y pulse ON. La máquina le pedirá confirmación '¿Calibrar?', pulse 'ON' para confirmar la calibración automática. A continuación la máquina realizará dicha calibración y mostrará el valor de calibración ajustado. Vuelva al menú pulsando OFF.

Esta opción se realizará únicamente bajo supervisión del servicio técnico y cuando haya sido expresamente indicado.

Pin: Su exprimidora cuenta con una contraseña **Pin** para que usted pueda acceder a los contadores y modificar parámetros de configuración. El PIN programado de serie es el 0000, puede personalizar este PIN.

Dentro del menú de SERVICIO TÉCNICO seleccione PIN y presione ON para confirmar su selección. Si es la primera vez que modifica el PIN aparecerá el PIN de serie 0000, pulse ON. En caso de haber programado ya alguna contraseña anteriormente, inserte la contraseña antigua, seleccione con los cursores ▲▼ cada dígito, pulse OFF para pasar de dígito a dígito y ON para confirmar la contraseña. Al insertar el PIN correcto aparecerá la pantalla "Nuevo PIN". Programe la nueva contraseña, seleccione con los cursores ▲▼ cada dígito, pulse OFF para pasar de dígito a dígito y ON para confirmar el nuevo PIN.

Para recuperar el Pin en caso de olvido: entrar en MENU y seleccionar CONFIGURACIÓN. Mantenga pulsado el cursor ▲ y pulse ▼ simultáneamente. A continuación, introduzca en nuevo Pin deseado y pulse ON.

Contadores: Podrá controlar el contador y descontador de su exprimidora. El contador le permite conocer el nº de naranjas exprimidas, la función descontador le permite programar un nº de naranjas determinado e ir consumiendo naranjas de este saldo.

Contador parcial: Le muestra el nº de naranjas consumidas, se puede poner a cero. Dentro del menú de SERVICIO TÉCNICO seleccione CONTADORES > CONTADOR PARCIAL y presione ON para confirmar su selección. Introduzca su PIN (Recuerde: Seleccione con los cursores ▲▼ cada dígito, pulse OFF para

pasar de dígito a dígito y ON para confirmar la contraseña). Podrá visualizar número de naranjas exprimidas en pantalla. Para poner a cero el contador pulse ▼ y confirme con ON, en display de la máquina verá que el contador se ha puesto a cero. Vuelva al menú pulsando OFF repetidamente.

Contador total: Le muestra todas las naranjas consumidas en toda la vida de la exprimidora, este contador no se puede borrar.

Dentro del menú de SERVICIO TÉCNICO seleccione CONTADORES > CONTADOR TOTAL y presione ON para confirmar su selección. Podrá visualizar número de naranjas en pantalla. Vuelva al menú anterior pulsando OFF.

Descontador: Le permite programar un nº de naranjas determinado e ir consumiendo naranjas de este saldo. Dentro del menú de SERVICIO TÉCNICO seleccione CONTADORES > DESCONTADOR y presione ON para confirmar su selección. Introduzca su PIN (Recuerde: Seleccione con los cursores ▲▼ cada dígito, pulse OFF para pasar de dígito a dígito y ON para confirmar la contraseña) y entrará en el menú del descontador. Programe cada dígito del descontador con los cursores ▲▼, después de cada dígito pulse OFF para pasar al siguiente, repita esta acción para cada dígito en el último dígito pulse ON y la selección quedará automáticamente memorizada. A continuación seleccione si quiere que el descontador esté visible o no en el menú principal (opción visible/oculto). Vuelva al menú pulsando OFF repetidamente.

! Una vez el descontador llega a cero la exprimidora se parará hasta que se le cargue un nuevo saldo de naranjas o se cambie a la función de contador entrando en el menú "CONTADOR PRINCIPAL" y confirmando pulsando ON.

! Cuando esté programado el descontador visible, en la pantalla normal de funcionamiento aparecerá una 'D' delante de los dígitos del contador. Si está programado el descontador en oculto no se mostrará ninguna cifra.

Limpieza

Zumex recomienda limpiar la máquina al menos 1 o 2 veces al día, dependiendo de su uso, para mantener las condiciones de higiene alimentarias.

Zumex recomienda el uso del Detergente **Zumex Citric Active™** especialmente diseñado para la limpieza de exprimidoras de cítricos con alto poder desincrustante para cera y pulpa.

Para una correcta limpieza deberá seguir los siguientes pasos:

! ¡ATENCIÓN!

Desconecte la máquina de la red antes de proceder con la limpieza.

Essential Basic, Essential Pro

- 1 Desmonte la **Cubeta** (Fig. 10) extrayéndola con ambas manos y tirando de ella hacia afuera. Para montarla de nuevo agarre con ambas manos el conjunto **cubeta**, sitúelo sobre los raíles de la Cubierta y empujelo hasta que quede completamente insertado.
- ! **Importante:** Si la Cubeta no está correctamente montada, la máquina no se activará. La Cubeta de zumo contiene un filtro y restos de zumo manipúlela con cuidado para evitar la caída accidental de zumo o del filtro.
- 2 Desmonte el **Filtro** tirando de la lengüeta.
- 3 Vacíe su contenido y póngala boca abajo en una superficie plana.
- 4 Presione las patillas plásticas del **grifo** y extraiga los pivotes insertados en la cubeta (Fig. 11). Extraiga primero la parte trasera y después desenclave de la parte delantera. Para montarlo realice la operación inversa, primero insertando la parte delantera en la cubeta y después presionando las patillas hasta introducir los pivotes en los orificios de la cubeta. Tire ligeramente del grifo para chequear que lo insertó correctamente.
- 5 Desmonte la Cubierta delantera abriendo el Cierre lateral (Fig. 14). Gire la Cubierta hacia la derecha 90° hasta llevarla a la posición fuera del alimentador. Tire de ella hacia arriba hasta liberarla de las bisagras. Para volver a montarla agarre firmemente la cubierta con ambas manos y móntela en su posición de apertura total teniendo la precaución insertar las tres bisagras en sus huecos. Cierre la cubierta y enclave su posición con el Cierre.

- ❗ **Importante:** Desmonte el conjunto de cubeta de zumo siempre antes de retirar la cubierta. No extraiga la cubierta hasta llegar a la posición de apertura total. Evite cargar peso en la cubierta ya que ello podría forzar las bisagras. Asegúrese que la cubierta quede correctamente insertada en sus tres bisagras antes de proceder a cerrarla.
- 6 Desmonte el portacuchillas (Fig. 7) tirando hacia Vd., desde el asa.
- ❗ **¡ATENCIÓN!** maneje esta pieza con mucho cuidado, ya que podría cortarse.
- 7 Tire de las cuñas hacia fuera hasta liberarlas completamente (Fig. 8). Para volver a montarlas coloque las cuñas en el lado correspondiente insertando en los pomos. Empuje la cuña hasta que la pala quede completamente insertada dentro del tambor macho y el canal de la pieza haga tope en el segundo pomo.
- ❗ **Importante:** Desmonte primero las cuñas antes de desmontar los tambores del grupo de exprimido. Si la cuña no está correctamente insertada como indica arriba podrían producirse daños en la pieza cuando la máquina entre en funcionamiento.
- 8 Desmonte los tambores de exprimido por parejas, desenroscando previamente los volantes que los sujetan (Fig. 9).

Versatile Pro

- 1 Desmonte el conjunto cubeta y PulpOut en un solo paso. Para ello presione los dos pulsadores frontales del PulpOut (Fig. 17) hasta liberar ambas piezas de la cubierta, deslizando el conjunto hacia afuera.
Para montarlo de nuevo agarre con ambas manos la cubeta, sitúela sobre los raíles de la Cubierta y empújela hasta que quede completamente insertada. Después presione ambos laterales superiores del PulpOut hasta que ambos pulsadores salgan hacia fuera y queden en línea con las líneas salientes del frontal (Fig. 18).
- ❗ **Importante:** Si la Cubeta no está correctamente montada, la máquina o el PulpOut no se activarán.

- 2 Extraiga el Pulpout de la cubeta. (Fig. 17.3)
- 3 Sobre una superficie lisa apoyamos el sistema PulpOut, situamos los dedos en el interior del rodillo derecho de la cinta barredora empujando hacia afuera para liberarlo. (Fig. 19) Extraemos la cinta barredora junto con el otro rodillo y retiramos ambas piezas. Para montarlo de nuevo introduzca los rodillos en la cinta, inserte el rodillo izquierdo por el lateral de PulpOut y después estire la cinta para insertar el rodillo derecho.
- 4 Desmonte el Filtro tirando de la lengüeta.
- 5 Vacíe el contenido de la cubeta y sitúela boca abajo sobre una superficie plana. Presione las patillas plásticas del grifo y extraiga los pivotes insertados en la cubeta (Fig. 11). Extraiga primero la parte trasera y después desenclave de la parte delantera. Para montarlo realice la operación inversa, primero insertando la parte delantera en la cubeta y después presionando las patillas hasta introducir los pivotes en los orificios de la cubeta. Tire ligeramente del grifo para chequear que lo insertó correctamente.
- 7 Desmonte la Cubierta delantera abriendo el Cierre lateral (Fig. 14). Gire la Cubierta hacia la derecha 90° hasta llevarla a la posición fuera del alimentador. Tire de ella hacia arriba hasta liberarla de las bisagras. Para volver a montarla agarre firmemente la cubierta con ambas manos y móntela en su posición de apertura total teniendo la precaución insertar las tres bisagras en sus huecos. Cierre la cubierta y enclave su posición con el Cierre.
- ❗ **Importante:** Desmonte el conjunto de cubeta de zumo siempre antes de retirar la cubierta. No extraiga la cubierta hasta llegar a la posición de apertura total. Evite cargar peso en la cubierta ya que ello podría forzar las bisagras. Asegúrese que la cubierta quede correctamente insertada en sus tres bisagras antes de proceder a cerrarla.
- 8 Desmonte el Kit 1Step (Fig. 15-16) de la máquina. Chequee previamente las instrucciones de montaje y desmontaje en el siguiente apartado *Kit de Extracción 1Step*.
Es posible realizar dos tipos de limpieza:
 - Limpieza del kit completo: una vez extraído el kit de la máquina, elimine los posibles restos de pulpa y corteza lavando con agua y si es necesario

con jabón suave. También es posible introducir en lavavajillas montado y proceder a su lavado.

- Limpieza en profundidad: todos los componentes son desmontables de forma individual para una limpieza más exhaustiva de piezas. Zumex recomienda una limpieza profunda del kit de extracción, al menos una vez por semana dependiendo del uso de la máquina.

9 Desmonte el Portacuchillas (9) y proceda a su limpieza con cuidado de no dañarse con el filo.

- Las piezas plásticas del sistema de exprimido son aptas para limpieza en lavavajillas.
- Recomendamos que la cubierta y la cubeta de zumo no se introduzcan en el lavavajillas para su limpieza. Seguir este consejo aumenta su durabilidad. Emplee para la limpieza de ambas piezas una bayeta suave empapada en agua y Citric Active o jabón apto para uso alimentario. En ningún caso deberá utilizar productos abrasivos ni ningún producto anticál.
- El grifo y la cubeta de zumo, han de separarse para su correcta limpieza, evitando que se acumule suciedad entre ambos. El grifo puede limpiarse en el lavavajillas.
- La limpieza de la zona de exprimido y de la cubierta, deberá hacerla usando una bayeta suave empapada con agua y jabón apto para vajillas. Después, aclare con abundante agua limpia para que no queden restos de jabón.
- Una vez terminado el proceso de limpieza, deberá montar todos los elementos en orden inverso a su desmontaje. Asegúrese de que todas las piezas están correctamente ensambladas y sujetas.
- Recuerde que cada extractor (Fig. 8) sólo encaja en un lado, por lo que no son intercambiables. Cuando los coloque asegúrese de que la pala de la cuña entre hasta el fondo en la ranura del tambor de exprimido macho.
- Con objeto de evitar la acumulación de cera, es importante limpiar frecuentemente el alimentador de fruta de los modelos Zumex Versatile.
- En los modelos con mueble limpie la tolva y el interior del mueble asegurándose de que no queden cortezas ni restos de pulpa.

Kit de Extracción 1Step

Este conjunto permite extraer e insertar los Tambores de exprimido y Cuñas extractoras en un solo paso (Fig. 15).

Antes de su colocación recuerde insertar el Portacuchillas (9).

Para su colocación, encare los tambores con los ejes y ajuste la posición mientras acaba de introducirlos completamente. Utilice el volante central para atornillar el grupo a la máquina.

Nota: Para su desmontaje proceda en orden inverso.

Montaje del conjunto Kit 1Step (Fig. 16)

- a) Colocamos el Soporte trasero (22) sobre una superficie. Los soportes metálicos de las cuñas deben quedar bocabajo.
- b) Empareje los tambores macho y hembra (4 y 5). Encaje las bases circulares de los tambores en los orificios del soporte. Tenga en cuenta que las caras de los tambores son diferentes. Asegúrese de que los monta tal y como muestra la figura.
- d) Encaje los conos salientes de los tambores de exprimido dentro de los cuatro casquillos circulares del soporte delantero (21).
- e) Una ambos soportes con el Volante de plástico inyección (15).
- c) Gire 180° el kit 1step y encaje las cuñas (7 y 12) sobre los soportes de cuñas insertando la pala extractora dentro de la junta del tambor macho. Asegúrese que ambos soportes quedan dentro del canal de la cuña como muestra la imagen 4.

Desmontaje del conjunto Kit 1Step (Fig.16)

- c) En la posición de la imagen 4, extraiga las Cuñas (7 y 12) tirando de ellas lateralmente para extraerlas de los soportes metálicos.
- a) Gire 180° el kit y desenrosque el Volante plástico inyección (15) que se encuentra tras los tambores y que sujeta ambos Soportes metálicos (21 y 22).
- b) Estire con cuidado del Soporte delantero (21).
- c) Separe los Tambores macho (4) y Tambores hembra (5).

Nota: Para la limpieza del conjunto revise la sección *Limpieza*.

Kit Elevación

Esta máquina Zumex dispone de un Kit de Elevación que facilita la limpieza de la superficie en la que está ubicada. El Kit de Elevación ref: 05230* no se encuentra incluido en este modelo, se encuentra disponible dentro del catálogo de accesorios de la máquina.

Este Kit debe ser montado de acuerdo a las siguientes instrucciones:

Componentes



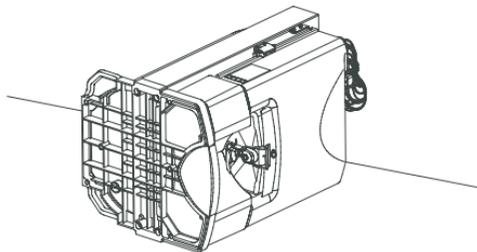
Patas	4
Disco fieltro adhesivo	4
Taco roscado	4

Instalación

La máquina está preparada para que la instalación de este Kit se realice de una forma rápida y sencilla.

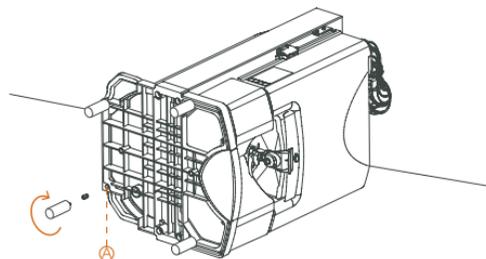
1 Colocar la máquina en posición de montaje.

Tumbar la máquina con sumo cuidado sobre uno de sus laterales, protegiendo dicha zona previamente para evitar desperfectos en la máquina. Esta operación debe realizarse entre dos personas, de manera que la base de la máquina quede a la vista permitiendo poder trabajar fácilmente.



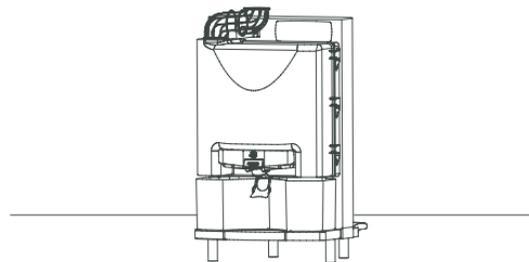
2 Colocar las patas del Kit Elevación.

La base de la máquina dispone de cuatro orificios en los cuales irán colocadas las patas. Las patas se suministran con unos tacos roscados ya colocados en el extremo de las mismas; deberemos introducirlos totalmente en los agujeros (A) de la base y proceder a roscar las patas hasta que estas hagan tope. Una vez realizada esta operación con las cuatro patas, estas podrán ser montadas y desmontadas en caso de necesidad sin que los tacos roscados se salgan de su alojamiento.



3 Incorporar la máquina a su posición de trabajo.

Incorporaremos verticalmente la máquina, con sumo cuidado, hasta dejarla en su posición de trabajo.



Accesorios

Encontrará una amplia gama de accesorios con los que configurar su exprimidora según sus necesidades:

Kit de Extracción 1Step

Con este accesorio podrás desmontar el grupo de exprimido en sólo 10" y dejar tu máquina lista para seguir funcionando con el otro Kit.

Kit S / Kit de extracción 1Step S

Para procesar fruta con un calibre desde 45 mm y hasta 67 mm.

Kit Contrabarra

Integra la gestión de residuos en barra de la forma más práctica y limpia.

Kit elevación

Esta máquina Zumex dispone de un Kit de Elevación que facilita la limpieza de la superficie en la que está ubicada.

Soporte Botellas

Permite el llenado cómodo de botellas. Adaptado para botellas de cuello 38 mm, 36 mm y 34,4 mm.

Cierre y funda cesta

Cubren y protegen la cesta de fruta para mayor higiene.

Botelleros

Para contextos de autoservicio, permiten dispensar botellas, copas o vasos.

Citric Active

Detergente de uso alimentario, formulado para la eliminación de ceras y pulpa.

Zumex Pack

Permite envasar bebidas frescas para su comercialización. Hay 4 formatos (1 l, 50 cl, 33cl y 25 cl) y con etiqueta Zumex o personalizada.

Consulte más información sobre accesorios en www.zumex.com.

Detección de Averías

Avería	Causa Posible	Corrección
La máquina no funciona	Máquina desenchufada.	Conéctela a la red.
	No llega corriente al enchufe.	Compruebe el enchufe.
	Cubierta mal colocada.	Asegúrese de su correcta colocación.
	Cubeta zumo mal colocada.	Asegúrese de su correcta colocación.
	Hay un bloqueo de los tambores.	Desconectar la máquina de la red y desbloquear los tambores.
	Detectores seguridad averiados.	Avisar al Servicio Técnico.
	Pulsador ON/OFF defectuoso.	Avisar al Servicio Técnico.
La máquina se bloquea a menudo en el momento de exprimir	Circuito defectuoso.	Avisar al Servicio Técnico.
	Tensión de red insuficiente.	Comprobar que la tensión sea la indicada en el manual.
Los tambores pierden sincronismo	Circuito defectuoso.	Avisar al Servicio Técnico.
Cuña extractora se rompe	Avería en un eje.	Avisar al Servicio Técnico.
Cuña extractora se rompe	Cuña extractora mal colocada.	Colocarla en su posición correcta introduciéndola totalmente hasta comprobar que hace tope (Fig. 8)
Se oye funcionar el motor pero no giran los tambores	Cuña extractora mal colocada.	Colocarla en su posición correcta introduciéndola totalmente hasta comprobar que hace tope (Fig. 8)
Se oye funcionar el motor pero no giran los tambores	Avería interna.	Avisar al Servicio Técnico.

Avería	Causa Posible	Corrección
El grifo se obstruye	El zumo tiene semillas o exceso de pulpa.	Desmontar y limpiar el grifo según Fig. 11A.
La máquina se para cada poco tiempo	Insuficiente ventilación.	Revisar que las rejillas de ventilación de la máquina no estén obstruidas.
	Sobrecarga.	Avisar al Servicio Técnico.
Pantalla no muestra información	Alteración en la red eléctrica.	Apagar la máquina y volver a conectar.
La máquina está en función self-service y no deja de funcionar	Grifo no colocado o colocado incorrectamente.	Coloque el grifo tal y como se indica en la Fig. 11A
	Grifo bien colocado: posible avería interna.	Avisar al Servicio Técnico.
	Bloqueo de grifo activado.	Coloque el bloqueo en posición horizontal presionando el grifo hacia abajo.
El motor del barredor no gira	Pulp-out desactivado	Activar el sistema Pulp-out en continuo o discontinuo
	Comprobar que está activo el sistema Pulp-out	Avisar al Servicio Técnico

ATENCIÓN: Cualquier acción para desbloquear la máquina debe realizarse desconectando la misma de la red. Si después de realizar las comprobaciones aquí mencionadas la máquina no funciona, llame al servicio técnico.

Mensajes en la Pantalla

Mensaje Display	Causa	Corrección
Sobrecorriente	Se ha sobrepasado el nivel máximo de consumo eléctrico durante al menos un segundo.	Desconectar de red y volver a conectar.
Sin naranjas	El motor permanece dos minutos en marcha sin detectar exprimido.	Reponer naranjas en alimentador y pulsar ON.
Memoria iniciada	Se detecta un error en la memoria.	Avisar al servicio técnico.
Calibración	Se detecta un valor erróneo en la calibración.	Proceder a calibrar.
Fuera de servicio	El contador ha llegado a cero.	Modificar el valor del descontador, según se indica en pag. 45 , o pasar a la función contador entrando en CONTADOR PARCIAL y pulsando ON.
Eeprom	Error detectado en la memoria EEPROM.	Avisar al servicio técnico.
Fuera de rango	La tensión de alimentación de entrada es inferior a 80V o superior a 260V.	Avisar al servicio técnico.
Error de teclado (error 1)	No se puede comunicar con el teclado (Avería interna).	Avisar al servicio técnico.
Dibujo cubeta parpadeando	La cubeta de zumo o la cubierta no están colocadas correctamente.	Asegurar su correcta colocación según Fig. 4. En caso de persistir consulte con su servicio técnico.
Limitador residuos (Waste limit)	Cubo de residuos lleno según las naranjas especificadas .	Vaciar el cubo de residuos y limpiar la máquina.

* El mensaje: "Error de teclado" puede no aparecer en el display debido a que no hay comunicación entre la CPU y la placa botonera.



Le présent manuel s'applique aux modèles:

Modèles de table	Zumex Essential Basic
	Zumex Essential Pro
	Zumex Versatile Basic
	Zumex Versatile Pro
Modèles intégrés dans un podium	Zumex Versatile Pro All-in-One



Extension de garantie à 5 ans

Enregistrez en toute simplicité votre zumex sur notre site web durant les 3 premiers mois



Enregistrez votre Zumex ici

Zumex Essential I Versatile

Manuel de l'utilisateur

Veuillez lire attentivement les instructions pour tirer au maximum profit de votre machine.

Index général

Figures/Display	3
Résumé des Modes de Fonctionnement Zumex Essential Pro et Versatile Pro	15
Importante information générale	68
Caractéristiques techniques	71
Instructions d'utilisation	72
Préparation	72
Fonctionnement	72
Nettoyage	79
Kit D'Extraction 1Step	84
Kit de surélévation	85
Accessoires	87
Détection des pannes	88
Déclaration de conformité EU	143

Importante information générale

Avant de commencer, merci de prendre connaissance des informations suivantes:

- Les données spécifiques concernant votre presse-agrumes Zumex (tension, fréquence et autres données importantes) figurent sur la Plaque signalétique qui se trouve sur l'appareil.
- Nous rappelons pour toute question technique, vous devez contacter votre Distributeur habituel / Service d'assistance technique officiel en rappelant toujours le Numéro de série qui figure sur la Plaque signalétique de la machine.
- Zumex a adopté les mesures nécessaires pour que les machines commercialisées soient reprises dans le cadre du tri des déchets conformément aux bonnes pratiques de gestion de l'environnement. Merci de contacter votre distributeur agréé Zumex pour mettre au rebut ces machines conformément aux procédures établies.
- **Ne pas manipuler la machine ou la faire fonctionner en l'absence de l'un quelconque des éléments de sécurité.**
- Ces appareils sont prévus pour des applications commerciales, par exemple dans les cuisines de restaurants, de cantines, d'hôpitaux et dans des entreprises commerciales telles que les boulangeries, etc., mais pas pour une production massive et continue de denrées alimentaires.

- L'appareil n'est pas prévu pour être nettoyé avec un jet d'eau ni un nettoyeur vapeur.
- Cet appareil peut être utilisé par des enfants de 8 ans ou plus, ou des personnes dont les capacités physiques, sensorielles ou mentales sont réduites ou par des personnes manquant d'expérience et de connaissance, du moment qu'elles soient sous surveillance ou qu'elles aient reçu les instructions adéquates quant au fonctionnement de l'appareil en toute sécurité.
- Surveiller les enfants afin de s'assurer qu'ils ne jouent pas avec l'appareil.
- Le nettoyage et la maintenance à réaliser par l'utilisateur ne doivent pas être réalisés par des enfants sans la surveillance d'un adulte.
- Une borne équipotentielle est prévue à l'arrière de la machine en vue du raccordement d'autres appareils à la terre de votre installation. Pour l'utiliser, il suffit de desserrer les écrous et les rondelles, de mettre le câble de terre de l'appareil auxiliaire puis de resserrer fermement les écrous et les rondelles. Ce point d'équipotentialité est indiqué par le symbole suivant:



- Il ne faut pas utiliser des fruits autres que ceux indiqués dans le manuel.
- Lors des opérations de nettoyage, de maintenance ou de remplacement de pièces, il faut toujours s'assurer que la prise du câble d'alimentation a été débranchée. Cette dernière doit être visible.
- Il faut faire attention aux parties coupantes afin d'éviter tout risque de coupures.
- Les parties qui sont en contact avec les aliments doivent être nettoyées selon les indications du chapitre relatif au nettoyage.
- Si le câble d'alimentation est abîmé, il devra être remplacé par un câble ou un ensemble spécial qui sera fourni par le fabricant ou son service après-vente afin d'éviter tout danger.

Les indications du mode d'emploi pourront faire l'objet de mises à jour. Vous pouvez les consulter sur notre site www.zumex.com, dans le volet du modèle choisi.

Si vous avez des suggestions ou des commentaires à faire afin d'améliorer nos machines ou notre réseau de service, merci de contacter directement Zumex à l'adresse suivante:

ZUMEX GROUP, S.A.
 Polígono Ind. Moncada III C/Molí 2. 46113 Moncada. Valencia. Espagne.
 Tel. +34 961 301 251 · Fax: +34 961 301 255
zumex@zumex.com / www.zumex.com

ZUMEX SERVICE
 Tel. +33 182 880 072 · service.fr@zumex.com

Caracteristiques Techniques

	Essential Basic	Essential Pro	Versatile Basic	Versatile Pro
Oranges par minute:	22		22	
Dimensions (cm/in):	47x50x88 cm 18.5"x19.7"x 34.6"	47 x 50 x 75 cm 18.5"x 19.7"x 29.5"	48 x 55 x 85,5 cm 18.9"x 21.7"x 33.7"	48 x 55 x 89 cm 18.9"x 21.7"x 35.1" All-in-One 48 x 55 x 169.5 cm 18.9"x 21.7"x 66.7"
Poids Net (Kg/lb):	45 Kg 99,2 lb	45,75 Kg 100,8 lb	54 Kg 119 lb	55 Kg 121,3 lb All-in-One 55+35 Kg = 90 Kg 121,3+77,2=198,5lb
Consommation et voltage:	380 W : • 220-240 V 60 Hz • 100-120V 60 Hz	320 W : • 220-240 V 50 Hz • 100-120 V 50 Hz	380 W : • 220-240 V 60 Hz • 100-120V 60 Hz	320 W : • 220-240 V 50 Hz • 100-120 V 50 Hz
Protection:	IPX4		IPX4	
Sécurité:	Double détecteur magnétique de sécurité. Protection électronique du moteur.		Double détecteur magnétique de sécurité. Protection électronique du moteur.	Triple détecteur de sécurité magnétique. Protection électronique du moteur.
Taille du fruit:	65-81 mm (45-67 mm avec le Kit S)		65-81 mm (45-67 mm avec le Kit S)	
Système anti-goutte:	NON	OUI	NON	OUI

Préparation

Pour commencer à presser, vous devrez suivre les étapes suivantes:

- 1 Sortez votre presse-agrumes de son emballage et placez-le sur une surface la plus horizontale possible.
- 2 Assurez-vous que la tension correspond bien à celle qui est indiquée sur l'étiquette d'identification de la machine que vous trouverez aussi bien sur la couverture de ce manuel que sur la propre machine.
- 3 Placez les poubelles à écorces comme l'indique les Fig. 1 et 4.
- 4 Assurez-vous que le réservoir à jus, le filtre et l'unité de balayage (Versatile Pro) sont correctement positionnés et que le boîtier est bien fermé et bien tenu par sa fermeture.

ZUMEX ESSENTIAL BASIC. Avant de mettre en marche votre presse-agrumes, placez le tuyau d'alimentation en oranges dans la position indiquée sur la Fig. 2. Pour cela, utilisez la clé Allen de 4 mm qui vous est fournie avec l'appareil.

Si vous avez acquis un presse-agrumes avec podium, vous devrez placer le presse-agrumes sur le podium, vissez-le comme l'indiquent les instructions sur le podium. N'oubliez pas de bloquer les roues avant de ce dernier. Ensuite, installez la trémie et les poubelles à écorces, à base ouverte, que vous trouverez à l'intérieur du meuble (Fig. 5).

Fonctionnement

Essential Basic

Mettez un verre / une carafe sous la sortie du jus et appuyez sur le bouton vert (Fig. 3). L'appareil commencera à exprimer du jus aussitôt. Pour arrêter le pressage, appuyez sur le bouton rouge.

Essential Pro y Versatile Pro

Après avoir effectué les étapes précédentes, procédez au branchement de la fiche de jonction à une base pourvue d'une prise de terre normalisée. Et appuyez sur le bouton  du cadran pour mettre la machine en marche.

Quand vous mettez la machine en marche pour la première fois depuis son achat, un message "Select language:" s'affichera pour que vous sélectionniez la langue du fonctionnement de la machine.

La sélection se réalisera en utilisant les flèches ▲▼ et en appuyant sur "ON". Une fois la langue choisie, la machine sera prête à fonctionner en mode "Self-Service".

En règle générale, pour le contrôle du menu, nous considérons que le bouton "ON" signifie Accepter et le bouton "OFF" Annuler.

Modes de Fonctionnement de Zumex Essential Pro

Zumex Essential Pro peut fonctionner en deux modes:

Autostart: La machine détecte les oranges dans le tuyau d'alimentation et se met en marche avec ces dernières.

Self-service: La machine se met en marche en manipulant le robinet self-service, en appuyant dessus ou en manipulant le levier. Pour pouvoir travailler avec ce levier, voir les Fig. 12A et 12B. Vous pouvez travailler en continu avec ce mode en tournant le blocage du robinet à 90° (Fig. 13).

Sélection du mode de fonctionnement:

- 1 Appuyez sur la touche MENU pendant quelques secondes pour entrer dans le mode de programmation.
- 2 Choisissez l'option MODE DE TRAVAIL en la trouvant à l'aide des curseurs ▲▼ et appuyez sur ON afin de confirmer votre sélection.
- 3 Choisissez le mode d'emploi souhaité, Autostart ou Self-Service à l'aide des curseurs ▲▼, appuyez sur ON afin de confirmer votre sélection. Appuyez sur OFF à plusieurs reprises jusqu'à ce que vous quittiez le MENU.

Modes de Fonctionnement de Zumex Versatile Pro

Zumex Versatile Pro peut fonctionner en deux modes:

Professional: Vous pourrez programmer le nombre d'oranges dans chaque cycle, ou sélectionner l'option 'c' pour les presser en continu. Le pressage commencera en appuyant sur 'ON' et s'achèvera quand le nombre d'oranges programmées et à presser terminera, ou si vous appuyez sur 'OFF'.

Self-service: La machine se met en marche en manipulant le robinet self-service ou en appuyant sur le robinet ou en manipulant le levier. Vous pouvez travailler en continu en tournant le blocage du robinet à 90° (Fig. 13).

Sélection du mode de fonctionnement:

- 1 Appuyez sur la touche MENU pendant quelques secondes pour entrer dans le menu.
- 2 Choisissez l'option MODE D'EMPLOI en la trouvant à l'aide des curseurs ▲▼. Et appuyez sur ON pour confirmer votre choix.
- 3 Choisissez le mode d'emploi souhaité, Professionnel ou Self-Service, à l'aide des curseurs ▲▼, appuyez sur ON pour confirmer votre choix. Appuyez sur OFF à plusieurs reprises jusqu'à ce que vous quittiez le menu.

Configuration

otre presse-agrumes Zumex vous permet de régler les paramètres selon vos préférences. Tous les réglages se réaliseront à partir du MENU » CONFIGURATION. Appuyez sur la touche MENU pendant quelques secondes pour entrer dans le menu et choisissez CONFIGURATION, appuyez sur ON pour confirmer votre choix.

Illumination: Change le degré de luminosité de l'écran.

Dans le menu de CONFIGURATION, sélectionnez ILLUMINATION et appuyez sur ON pour confirmer votre choix. Réglez le degré de luminosité à l'aide des curseurs ▲▼. Une fois réglé, confirmez en appuyant sur ON. Les changements seront mémorisés.

Langue: Change le menu du presse-agrumes.

Dans le menu de CONFIGURATION, sélectionnez LANGUE et appuyez sur ON pour confirmer votre choix. Sélectionnez la langue souhaitée à l'aide des curseurs ▲▼. Une fois sélectionné, confirmez en appuyant sur ON. Les changements resteront mémorisés.

Limiteur de déchets (Waste limit) : Activez ou désactivez le limiteur de déchets.

Utilisez les flèches ▲▼ pour définir une valeur. Le limiteur de déchets est désactivé si le compteur est réglé sur 000. Si vous entrez un nombre entre 001 et 999, le limiteur de déchets vous préviendra lorsque ce nombre d'oranges aura été pressé afin de vider le bac et de nettoyer la machine.

Système PulpOut : Vous pouvez activer le Système PulpOut pour éliminer automatiquement la pulpe et les pépins. Vous pouvez choisir entre le mode d'utilisation continu ou discontinu.

Le **mode continu** élimine la pulpe pendant tout le temps de pressage. Il permet

d'allonger l'autonomie du système et, par conséquent, le temps d'utilisation avant le nettoyage.

Le **mode discontinu** permet de prolonger le temps de filtration de la pulpe. Vous pouvez choisir la fréquence d'activation du système, selon le type d'agrumes utilisé et la quantité de pulpe. Une fréquence rapide activera le système par intervalles de temps inférieures.

De cette façon, la bande transporteuse se mettra en marche, en fonction du programme choisi, après les cycles de pressage suivants :

SLOW	REGULAR	FAST
20 oranges	15 oranges	10 oranges

Vous pouvez également activer la fonction « Nettoyage automatique » qui permet de nettoyer automatiquement la bande transporteuse après le dernier pressage. En mode discontinu, la fonction « Nettoyage automatique » s'active 30 secondes après le dernier pressage.

Voici quelques exemples de représentation sur l'affichage numérique :



Auto

Mode continu



Auto

Mode continu avec fonction « Nettoyage automatique »



Mode discontinu avec fonction « Nettoyage automatique »

! Note: N'oubliez pas que si vous appuyez sur OFF, vous annulez les changements réalisés auparavant et vous retournerez au menu précédent.

Service Technique

Les presse-agrumes Zumex Essential Pro et Versatile vous donnent l'information demandée pour le bon entretien de l'unité, en plus de disposer d'un compteur d'oranges pressées qui peut être configuré sur ce mode. Appuyez sur la touche MENU pendant quelques secondes pour entrer dans le menu et sélectionnez SERVICE TECHNIQUE, appuyez sur ON pour confirmer votre sélection et sur OFF pour revenir au menu précédent.

Numéro de série: Le numéro de série de votre presse-agrumes vous sera montré, lequel est indispensable pour consulter le SERVICE TECHNIQUE.

Dans le menu du SERVICE TECHNIQUE, sélectionnez le NUMÉRO DE SÉRIE et appuyez sur ON pour confirmer votre choix. Vous pourrez visualiser le numéro de série sur l'écran. Retournez au menu précédent en appuyant sur OFF.

Tension: La tension vous indique que vous avez de l'électricité au moment de la consultation, ce qui est indispensable pour les services d'assistance technique.

Dans le menu de SERVICE TECHNIQUE, sélectionnez TENSION et appuyez sur ON pour confirmer votre choix. Vous pourrez visualiser la tension sur l'écran. Retournez au menu précédent en appuyant sur OFF.

Calibrage: Il vous montre la valeur du calibrage de votre machine, qu'il est nécessaire de régler dans les cas exceptionnels où le compteur ne compterait pas correctement. Cette information est indispensable si vous consultez une assistance technique. Il permet également de modifier manuellement les valeurs. Ce procédé devra se faire en suivant les instructions et en obtenant l'aide d'un service d'assistance technique autorisé.

Valeur calibrage: Dans le menu de SERVICE TECHNIQUE, sélectionnez CALIBRAGE > VALEUR CALIBRAGE et appuyez sur ON pour confirmer votre choix. Vous pourrez visualiser le numéro de calibrage sur l'écran. Retournez au menu en appuyant sur OFF.

Valeur Offset: Dans le menu du SERVICE TECHNIQUE, sélectionnez CALIBRAGE > VALEUR OFFSET, et appuyez sur ON pour confirmer votre choix. Vous pourrez visualiser le numéro de l'offset sur l'écran. Retournez au menu en appuyant sur ON.

Calibrer: Choisissez CALIBRER et appuyez sur ON. Ensuite, introduisez votre PIN et appuyez sur ON. La machine vous demandera de confirmer 'Calibrer?', appuyez sur ON pour confirmer le calibrage automatique. Ensuite, la machine réalisera le calibrage en question et indiquera la valeur du calibrage réglée. Retournez au menu en appuyant sur OFF.

Cette option se réalisera uniquement sous le contrôle du service technique et quand il le sera expressément indiqué.

Pin: Votre presse-agrumes exige un mot de passe pour que vous puissiez accéder aux compteurs et modifier les paramètres de configuration. Le Pin de série programmé est le 0000, mais vous pouvez le personnaliser.

Dans le menu de SERVICE TECHNIQUE, sélectionnez PIN et appuyez sur ON pour confirmer votre choix. Si c'est la première fois que vous modifiez votre Pin, le Pin de série 0000 s'affichera, appuyez sur ON. Si vous aviez déjà programmé auparavant votre mot de passe, insérez l'ancien mot de passe, sélectionnez chaque numéro à l'aide des curseurs ▲▼ appuyez sur OFF pour passer d'un numéro à l'autre, et sur ON pour confirmer votre mot de passe. En y insérant le Pin correct, "Nouveau PIN" s'affichera sur l'écran. Programmez le nouveau mot de passe, sélectionnez chaque chiffre à l'aide des curseurs ▲▼, appuyez sur OFF pour passer d'un chiffre à l'autre et sur ON pour confirmer le nouveau PIN.

Pour récupérer le Pin en cas d'oubli, entrez dans le Menu et sélectionnez CONFIGURATION. Continuez à appuyer sur le curseur ▲ et appuyez en même temps sur le ▼. Ensuite, introduisez le nouveau pin souhaité et appuyez sur ON.

Compteurs: Vous pourrez contrôler le compteur et le décompteur de votre presse-agrumes. Le compteur vous permet de connaître le nombre d'oranges pressées. La fonction du décompteur vous permet de programmer un nombre d'oranges précis et de consommer les oranges issues de ce solde.

Compteur partiel: Il vous indique le nombre d'oranges consommées. On peut le remettre à zéro. Dans le menu de SERVICE TECHNIQUE, sélectionnez COMPTEURS > COMPTEUR PARTIEL et appuyez sur ON pour confirmer votre choix. Introduisez votre PIN (N'oubliez pas: Sélectionnez chaque chiffre à l'aide des curseurs ▲▼ COMPTEUR PARTIEL et appuyez sur ON pour

confirmer votre choix. Introduisez votre PIN (N'oubliez pas : Sélectionnez chaque chiffre à l'aide des curseurs ▼ et confirmez en appuyant sur ON. Sur l'écran de la machine, vous verrez que le compteur s'est remis à zéro. Retournez au menu en appuyant sur OFF à plusieurs reprises.

Compteur total: Il vous montre toutes les oranges consommées pendant toute la durée du fonctionnement de la machine. Ce compteur ne peut s'effacer.

Dans le menu de SERVICE TECHNIQUE, sélectionnez COMPTEURS > COMPTEUR TOTAL et appuyez sur ON pour confirmer votre choix. Vous pourrez visualiser le nombre d'oranges sur l'écran. Retournez au menu précédent en appuyant sur OFF.

Décompteur: Il vous permet de programmer un nombre d'oranges précis et de consommer les oranges issues de ce solde. Dans le menu de SERVICE TECHNIQUE, sélectionnez COMPTEURS > DÉCOMPTEUR et appuyez sur ON pour confirmer votre choix. Introduisez votre PIN (N'oubliez pas: Sélectionnez chaque chiffre à l'aide des curseurs ▲▼, appuyez sur OFF pour passer d'un chiffre à l'autre et sur ON pour confirmer votre mot de passe), et vous entrez dans le menu du décompteur. Programmez chaque chiffre du décompteur à l'aide des curseurs ▲▼, après chaque chiffre appuyez sur OFF pour passer au suivant, répétez cette action pour chaque chiffre. Appuyez sur ON quand apparaît le dernier chiffre et la sélection sera automatiquement mémorisée. Ensuite, sélectionnez sur le menu principal si vous souhaitez que le décompteur soit visible ou pas (option visible/caché). Retournez au menu en appuyant sur OFF à plusieurs reprises.

- ❗ Quand le décompteur sera remis à zéro, le presse-agrumes s'arrêtera jusqu'à ce qu'un nouveau solde d'oranges soit rechargé ou que la fonction du compteur change, en entrant dans le menu "COMPTEUR PRINCIPAL". Pour le confirmer, appuyez sur ON.
- ❗ Lorsque le décompteur visible sera programmé, un 'D' s'affichera sur l'écran normal de fonctionnement, devant les chiffres du compteur. Si le décompteur caché est programmé, aucun chiffre ne s'affichera.

Nettoyage

Zumex recommande de nettoyer la machine au moins 1 à 2 fois par jour, en fonction de son utilisation, afin de préserver les conditions d'hygiène alimentaire.

Zumex recommande d'employer le détergent **Zumex Citric Active™** spécialement conçu pour le nettoyage des presse-agrumes, doté d'un grand pouvoir désincrustant pour la cire et la pulpe.

Pour réaliser un nettoyage correct, vous devrez suivre les étapes suivantes:

❗ AVERTISSEMENT!

Débranchez l'appareil du réseau avant de procéder au nettoyage.

Essential Basic, Essential Pro

- 1 Démontez le **réservoir** (Fig. 10) en le retirant avec les deux mains et en le tirant vers l'extérieur. Pour le remonter, saisissez des deux mains l'ensemble du **réservoir**, situez-le sur les rails du boîtier et poussez jusqu'à ce qu'il soit entièrement inséré.
- ❗ **Important :** Si le **réservoir** est mal monté, la machine ne se mettra pas en marche. Le **réservoir à jus** contient un filtre et des restes de jus. Manipulez-le doucement pour éviter la chute accidentelle de jus et du filtre.
- 2 Démontez le **filtre** en tirant sur la languette.
- 3 Videz son contenu et mettez-le à l'envers sur une surface plane.
- 4 Appuyez sur les éléments en plastique du **robinet** et retirez les pivots insérés dans le réservoir (Fig. 11). Retirez d'abord la partie arrière puis la partie avant. Pour l'assembler, faites l'opération inverse, en insérant d'abord la partie avant dans le réservoir et en appuyant ensuite sur les pattes jusqu'à insérer les pivots dans les trous du réservoir. Tirez légèrement sur le robinet pour vérifier que tout est bien inséré.
- 5 Démontez le boîtier avant en ouvrant la fermeture latérale (Fig. 14). Tournez le boîtier vers la droite à 90° jusqu'à ce qu'il soit en dehors de l'alimentateur. Tirez vers le haut pour le libérer des charnières. Pour le remonter, saisissez

fermement le couvercle à deux mains et montez-le dans sa position entièrement ouverte, en prenant soin d'insérer les trois charnières dans leurs trous. Fermez le boîtier et fixez dans sa position de fermeture.

- ❗ **Important :** Démontez toujours l'ensemble du réservoir à jus avant de retirer le boîtier. Ne retirez pas le boîtier tant qu'il n'est pas en position entièrement ouverte. Évitez de charger le boîtier car cela pourrait forcer les charnières. Assurez-vous que le boîtier est bien inséré dans ses trois charnières avant de le fermer.
- 6 Démontez le porte-lames (Fig. 7) en tirant vers vous, depuis la poignée.

❗ ATTENTION!

Manipulez cette pièce doucement car vous pourriez vous couper.

- 7 Tirez les extracteurs jusqu'à les sortir complètement (Fig. 8). Pour les remonter, placez les extracteurs dans le côté correspondant en insérant les boutons. Poussez l'extracteur jusqu'à ce que la lame soit complètement insérée dans le tambour mâle et que la pièce soit fixée au niveau du deuxième bouton.
- ❗ **Important :** Démontez en premier les extracteurs avant de démonter les tambours de pressage. Si l'extracteur n'est pas correctement inséré comme indiqué ci-dessus, la pièce pourrait être endommagée lors du fonctionnement de la machine.
- 8 Démontez les tambours de pressage deux par deux, en dévissant les volants qui les soutiennent d'abord (Fig. 9).

Versatile Pro

- 1 Démontez l'unité réservoir et PulpOut en une seule étape. Pour ce faire, appuyez sur les deux boutons-poussoirs avant du PulpOut (Fig. 17) jusqu'à ce que les deux pièces soient libérées du capot, en faisant glisser l'ensemble vers l'extérieur.
Pour réassembler, tenez le réservoir à deux mains, mettez-le sur les rails de guidage du capot et poussez jusqu'à ce qu'il soit complètement inséré. Appuyez ensuite sur les deux côtés supérieurs du PulpOut jusqu'à ce que les

deux boutons-poussoirs dépassent vers l'extérieur et soient alignés avec les lignes qui dépassent sur le devant (Fig. 18)

- ❗ **Important :** si le réservoir n'est pas correctement monté, la machine ou le PulpOut ne pourront pas être activés.
- 2 Retirez le PulpOut du réservoir. (Fig. 17.3)
- 3 Placez le système PulpOut sur une surface lisse, placez vos doigts sur l'intérieur du rouleau de la courroie de balayage et poussez-le vers l'extérieur pour le libérer. (Fig. 19) Tirez sur la courroie de balayage en même temps que l'autre rouleau et retirez les deux pièces. Pour réassembler, insérez les rouleaux dans la courroie, insérez le rouleau gauche sur le côté du PulpOut, puis tendez la courroie pour insérer le rouleau droit.
- 4 Démontez le filtre en tirant sur la languette.
- 5 Videz le contenu du réservoir et mettez-le à l'envers sur une surface plane.
- 6 Appuyez sur les éléments en plastique du robinet et retirez les pivots insérés dans le réservoir (Fig. 11). Retirez d'abord la partie arrière puis la partie avant. Pour l'assembler, faites l'opération inverse, en insérant d'abord la partie avant dans le réservoir et en appuyant ensuite sur les pattes jusqu'à insérer les pivots dans les trous du réservoir. Tirez légèrement sur le robinet pour vérifier que tout est bien inséré.
- 7 Démontez le boîtier avant en ouvrant la fermeture latérale (Fig. 14). Tournez le boîtier vers la droite à 90° jusqu'à ce qu'il soit en dehors de l'alimentateur. Tirez vers le haut pour le libérer des charnières. Pour le remonter, saisissez fermement le couvercle à deux mains et montez-le dans sa position entièrement ouverte, en prenant soin d'insérer les trois charnières dans leurs trous. Fermez le boîtier et fixez dans sa position de fermeture.
- ❗ **Important :** Démontez toujours l'ensemble du réservoir à jus avant de retirer le boîtier. Ne retirez pas le boîtier tant qu'il n'est pas en position entièrement ouverte. Évitez de charger le boîtier car cela pourrait forcer les charnières. Assurez-vous que le boîtier est bien inséré dans ses trois charnières avant de le fermer.

- 8 Démontez le Kit 1Step (Fig. 15-16) de la machine. Vérifiez auparavant les consignes de montage et de démontage dans la rubrique *Kit d'extraction 1Step*.

Il est possible de réaliser deux types de nettoyage :

- Nettoyage du kit complet : une fois le kit retiré de la machine, éliminez les restes éventuels de pulpe et d'écorce en le lavant à l'eau, et, au besoin, avec du savon doux. Il est également possible de le laver entièrement et sans le démonter au lave-vaisselle.
 - Nettoyage en profondeur : tous les composants sont démontables individuellement pour un nettoyage plus exhaustif des pièces. Zumex recommande un nettoyage en profondeur du kit d'extraction au moins une fois par semaine, selon l'utilisation de la machine.
- 9 Démontez le Porte-lames (9) et procédez à son nettoyage en faisant attention à ne pas vous couper.

- Les pièces en plastique du système de pressage sont compatibles avec un nettoyage au lave-vaisselle.
- Nous déconseillons de nettoyer le boîtier et le réservoir au lave-vaisselle. Suivre ce conseil permet d'augmenter leur durée de vie. Pour nettoyer les deux pièces, employez une lavette douce imbibée d'eau et de Citric Active ou de produit vaisselle. N'utilisez sous aucun prétexte des produits abrasifs ou anticalcaires.
- Le robinet et la carafe à jus doivent être séparés pour leur nettoyage approprié afin d'éviter l'accumulation de saleté entre les deux. Le robinet peut être nettoyé au lave-vaisselle.
- Le nettoyage de la zone de pressage et du boîtier devra être effectué à l'aide d'un chiffon doux imbibé d'eau et de liquide vaisselle. Ensuite, rincez abondamment à l'eau claire pour qu'il ne reste pas de liquide vaisselle.
- Une fois le nettoyage terminé, vous devrez monter tous les éléments dans l'ordre inverse à leur démontage. Vérifiez bien que toutes les pièces sont assemblées correctement et attachées.
- N'oubliez pas que chaque taquet d'extraction (Fig. 8) ne s'emboîte que d'un côté, c'est pourquoi ils ne sont pas interchangeables. Lorsque vous les mettez en place, vérifiez que la pale du taquet d'extraction entre jusqu'au fond dans la rainure du tambour mâle.
- Pour éviter que la cire ne s'accumule, il est important de nettoyer fréquemment l'alimentateur de fruits des modèles Zumex Versatile.
- Sur les modèles avec meuble, nettoyez la trémie et l'intérieur du meuble, en vérifiant bien qu'il ne reste pas d'écorces ni de pulpe.

Kit d'Extraction 1Step

Cet ensemble permet d'extraire et d'insérer les tambours de pressage et extracteurs d'écorce en une seule étape (Fig. 15)

Avant de le placer, veillez à insérer le Porte-lames (9).

Pour le placer, fixez les tambours dans les axes et ajustez la position jusqu'à les introduire complètement. Utilisez l'écrou papillon central pour visser l'ensemble à la machine.

Note : Pour le démonter, procédez dans l'ordre inverse.

Assemblage du kit 1Step (Fig. 16)

- Placez le support arrière (22) sur une surface. Les supports métalliques des extracteurs doivent rester face vers le bas.
- Assemblez les tambours mâles et femelles (4 et 5). Fixez les bases circulaires des tambours dans les orifices du support. Notez que les côtés face des tambours sont différents. Veillez à les monter tel qu'indiqué sur le schéma.
- Insérez les cônes dépassant des tambours de pressage dans les quatre bagues circulaires du support avant (21).
- Assemblez les deux supports à l'aide de l'écrou papillon en plastique (15).
- Tournez le kit 1step à 180 ° et fixez les extracteurs (7 et 12) sur les supports d'extracteurs en insérant la lame dans la jointure du tambour mâle. Veillez à ce que les deux supports se trouvent à l'intérieur de l'axe de l'extracteur comme indiqué dans l'image 4.

Démontage du kit 1Step (Fig. 16)

- Mettez le kit dans la même position que dans l'image 4 et retirez les Extracteurs (7 et 12) en les tirant jusqu'à les extraire des supports métalliques.
- Tournez le kit à 180 ° et dévissez l'Écrou papillon en plastique (15) situé derrière les tambours et servant à fixer les deux supports en métal (21 et 22).
- Tirez soigneusement sur le Support avant (21).
- Séparez les Tambours mâle (4) et Tambours femelle (5).

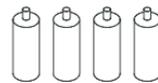
Remarque : Pour le nettoyage du kit, veuillez consulter la section « Nettoyage ».

Kit de Surélévation

Cette machine Zumex dispose d'un Kit de Surélévation qui facilite le nettoyage de la surface sur laquelle elle est installée. Le Kit de Surélévation réf. 05230* n'est pas inclus avec ce modèle, est disponible dans le catalogue d'accessoires de la machine.

Ce Kit doit être monté conformément aux instructions suivantes

ÉLÉMENTS



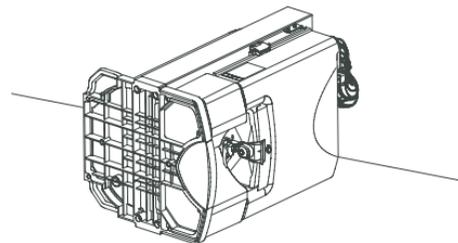
Pied	4
Feutre adhésif rond	4
Cheville filetée	4

INSTALLATION

La machine est conçue de façon à ce que l'installation de ce Kit s'effectue rapidement et facilement.

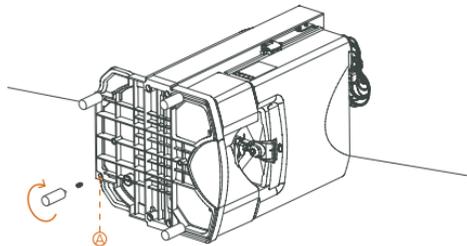
1 Placer la machine en position de montage.

Coucher soigneusement la machine sur le côté, en protégeant préalablement cette partie afin d'éviter d'endommager la machine. Cette opération doit être réalisée par deux personnes, de manière à ce que la base de la machine soit visible et facilite le travail.



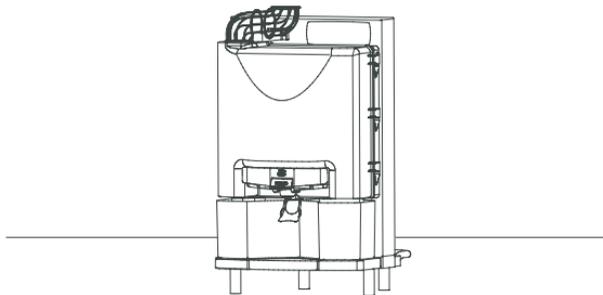
2 Mettre en place les pieds du Kit de Surélévation.

La base de la machine est dotée de quatre orifices, dans lesquels seront fixés les pieds. Les pieds sont fournis avec des chevilles filetées préinstallées sur l'extrémité des pieds. Il convient de les introduire complètement dans les trous (A) de la base et de visser les pieds jusqu'à ce que ces derniers soient en butée. Une fois cette opération réalisée, les quatre pieds peuvent être montés et démontés, si nécessaire, sans que les chevilles filetées sortent de leur logement.



3 Installer la machine dans sa position de travail.

Installer verticalement la machine avec soin, dans sa position de travail.



Accessoires

Vous trouverez une large gamme d'accessoires qui vous permettront de configurer votre presseagrumes selon vos besoins :

Kit d'extraction 1Step

Avec cet accessoire, vous pourrez démonter le groupe de pressage en seulement 10 se-condes et laisser votre machine prête pour continuer de fonctionner avec l'autre kit.

Kit S / Kit d'Extraction 1Step S

Pour presser des fruits à partir de 45 mm et jusqu'à 67 mm de diamètre.

Kit Comptoir

Intègre la gestion des déchets en comptoir de la façon la plus pratique et hygiénique.

Kit de surélévation

Cette machine Zumex dispose d'un Kit de Surélévation qui facilite le nettoyage de la surface sur laquelle elle est installée.

Support de bouteilles

Permet de remplir facilement les bouteilles. Convient aux bouteilles à goulot de 38 mm, 36 mm et 34,4 mm.

Fermeture et couvercle de panier

Couvrent et protègent le panier de fruits pour une meilleure hygiène.

Porte-bouteilles

Dispositifs pour mettre à disposition bouteilles, tasses ou verres dans les espaces de libre-service.

Citric Active

Détergent à usage alimentaire, formulé pour éliminer les cires et la pulpe.

Zumex Pack

Permet de conditionner les boissons fraîches destinées à la vente. Existe en 4 formats (1 l, 50 cl, 33 cl et 25 cl), avec étiquette Zumex ou personnalisée.

Pour de plus amples informations sur les accessoires, rendez-vous sur www.zumex.com

Détection de Pannes

Panne	Cause Possible	Solution
La machine ne marche pas	Appareil débranché.	Branchez-le au réseau électrique.
	Le courant n'arrive pas à la fiche.	Vérifiez la fiche.
	Boîtier mal placé.	Vérifiez qu'il est bien mis.
	Réservoir à jus mal placé.	Vérifiez qu'il est bien mis.
	Blocage dans les unités de pressage.	Débranchez la machine et débloquez les tambours.
	Détecteurs sécurité en panne.	Prévenir le Service Technique.
	Bouton ON/OFF défectueux.	Prévenir le Service Technique.
	Circuit défectueux.	Prévenir le Service Technique.
La machine se bloque souvent au moment du pressage	Tension électrique insuffisante.	Vérifiez que la tension est celle qui est indiquée sur le manuel.
	Circuito defeituoso.	Prévenir le Service Technique.
Les unités de pressage perdent leur synchronisme	Panne d'un axe.	Prévenir le Service Technique.
Le taquet d'extraction s'est cassé	Taquet d'extraction mal placé.	Le remettre bien en place en l'introduisant complètement jusqu'à ce qu'il se bloque (Fig. 8)
On entend le moteur fonctionner mais les unités de pressage ne tournent pas	Panne interne.	Prévenir le Service Technique.

Panne	Cause Possible	Solution
Le robinet se bouche	Le jus a des pépins ou un excès de pulpe.	Démonter et nettoyer le robinet selon la Fig. 11A.
La machine s'arrête souvent	Ventilation insuffisante.	Vérifiez que les grilles de ventilation de la machine ne sont pas bouchées.
	Surcharge.	Prévenir le Service Technique.
L'écran n'affiche pas l'information	Changement du réseau électrique.	Débranchez la machine et la rebranchez.
La machine est en self-service et ne cesse de fonctionner	Le robinet n'est pas mis en place ou mal mis.	Placez le robinet comme l'indique la Fig. 11A
	Le robinet bien mis : possibilité d'une panne interne.	Prévenir le Service Technique.
	Blocage du robinet activé.	Mettez le blocage en position horizontale en appuyant sur le robinet vers le bas.
Le moteur de la balayeuse ne tourne pas	Pulp-out désactivé	Activez le système Pulp-out en mode continu ou discontinu
	Vérifiez que le système Pulp-out est activé	Contactez le service technique

ATTENTION: Toute action pour débloquer la machine doit être effectuée quand elle est débranchée. Si la machine ne marche pas après avoir réalisé toutes les vérifications mentionnées ci-dessus, appelez le service technique.



Messages sur l'Écran

Message Affiché	Cause	Solution
Courant de décharge	Le niveau maximal de consommation électrique a été dépassé d'au moins une seconde.	Débranchez et rebranchez.
Sans oranges	Le moteur est en marche depuis deux minutes sans qu'un passage ne soit détecté.	Remettre les oranges dans l'alimentateur et appuyez sur ON.
Mémoire initialisée	Une erreur de mémoire a été détectée.	Prévenir le service technique.
Calibrage	Une valeur erronée a été détectée dans le calibrage.	Procéder au calibrage.
Hors-service	Le compteur est à zéro.	Modifier la valeur du décompteur selon les indications de la p.69, ou passer à la fonction COMPTEUR en entrant dans COMPTEUR PARTIEL et en appuyant sur On.
Eeprom	Erreur détectée dans la mémoire EEPROM.	Prévenir le service technique.
Hors du rang	La tension d'alimentation d'entrée est inférieure à 80V ou supérieure à 260V.	Prévenir le service technique.
Erreur de clavier (erreur 1)	On ne peut pas communiquer à travers le clavier (panne interne).	Prévenir le service technique.
Dessin réservoir qui clignote	Le réservoir du jus ou le boîtier n'est pas placé correctement.	Vérifier s'il est bien mis, selon la Fig. 4. Si cela persiste, contactez le service technique.
Limiteur de déchets (Waste limit)	Bac à déchets rempli selon la spécificité des oranges	Videz le bac à déchets et nettoyez la machine

* Le message: "Erreur de clavier" peut ne pas s'afficher à cause d'un manque de communication entre le CPU et la plaque de commande.





Die vorliegende Bedienungsanleitung bezieht sich auf die Modelle:

Thekenmodelle	Zumex Essential Basic
	Zumex Essential Pro
	Zumex Versatile Basic
	Zumex Versatile Pro
Modelle mit Unterschrank	Zumex Versatile Pro All-in-One



Erweitern Sie ihre Garantie auf 5 Jahre

Durch einfache Produktregistrierung auf unserer Website in den ersten 3 Monaten



Registrieren Sie Ihr produkt hier

Zumex Essential I Versatile

Bedienungsanleitung

Bitte lesen Sie die Bedienungsanleitung sorgfältig durch, um maximale Leistungen Ihrer Maschine zu erzielen.

Inhaltsverzeichnis

Abbildungen/Display	3
Zusammenfassung der Funktionsmodi Für Zumex Essential Pro und Versatile Pro	15
Allgemeine wichtige hinweise	94
Technische eigenschaften	97
Bedienungsanleitung	98
Vor der inbetriebnahme	98
Bedienung	98
Reinigung	105
Schnell-Reinigungskit 1Step	110
Hochstell-kit	111
Zubehör	114
Fehlersuche und fehlerbehebung	115
EG-konformitätserklärung	143

Allgemeine wichtige hinweise

Als erstes empfehlen wir Ihnen, die folgenden Vorsichtsmaßnahmen zu beachten:

- Die spezifischen Daten Ihrer Zumex Saftpresse (Spannung, Frequenz und weitere wichtige Angaben) finden Sie auf dem Identifikationsetikett an der Maschine selbst.
- Bitte wenden Sie sich bei allen technischen Fragen an Ihren Vertriebshändler / Offiziellen Kundendienst und geben Sie dabei immer die Seriennummer laut Identifikationsetikett an der Maschine an.
- Zumex ergreift die erforderlichen Maßnahmen, damit die auf dem Markt befindlichen Maschinen eine selektive Rücknahme und korrekte umweltbewusste Entsorgung erfahren. Für eine korrekte Entsorgung der Maschinen wenden Sie sich bitte an Ihren Zumex Vertriebshändler.
- **Nehmen Sie keine Eingriffe an der Maschine vor, um sie ohne Sicherheitselemente in Betrieb zu nehmen.**
- Diese Geratesind für gewerbliche Anwendungen vorgesehen, z. B. in Kuchen von Restaurants, Kantinen, Krankenhäusern und in Geschäften wie Backereien usw., aber nicht für die kontinuierliche Massenproduktion von Lebensmitteln.
- Das Gerät sollte nicht mit einem Wasserstrahl- oder Dampfreiniger gesäubert werden.
- Dieses Gerät darf von Kindern ab 8 Jahren bedient werden. Personen mit eingeschränkten physischen,

sensoriellen oder mentalen Fähigkeiten oder mangelnder Erfahrung und fehlenden Kenntnissen dürfen dieses Gerät nur unter Aufsicht bedienen, oder erstnachdemeinesachdienlicheEinweisungin die sichere Gerätebedienung unter verständlicher Erklärung der damit verbundenen Risiken erfolgt ist.

- Kinder sind zu beaufsichtigen, damit sie das Gerät nicht als Spielzeug verwenden.
- Reinigungs- und Wartungsmaßnahmen durch den Verwender dürfen nicht von Kindern ohne Aufsicht vorgenommen werden.
- DasGeratistaufderRückseitemiteinerAquipotential-Klemme für den Erdungsanschluss anderer Geräte an die Erdung der Anlage über diese Klemme ausgestattet. Sollte diese benötigt werden, lösen Sie Muttern und Scheiben, schliesen Sie das Erdungskabel des Nebengerates an und ziehen Sie die Muttern und Scheiben wieder gut fest. Dieser Potentialausgleich ist mit dem folgenden Symbol gekennzeichnet:



- Verwenden Sie keine anderen Früchte als die in der Anleitung genannten Früchte.

- Achten Sie darauf, dass bei Reinigung, Wartung oder Austausch von Teilen der Stecker des Netzkabels gut sichtbar vom Netzanschluss getrennt ist.
- Gehen Sie zur Vermeidung von Schnittverletzungen mit den Schneidelementen besonders vorsichtig um.
- Die Teile, die mit Nahrungsmitteln in Berührung kommen, sind nach den Anweisungen im Abschnitt Reinigung zu säubern.
- Bei Beschädigung des Netzkabels ist dieses durch ein vom Hersteller oder dem Kundendienst geliefertes Kabel oder einen speziellen Kabelsatz zu ersetzen, um Gefahren zu vermeiden

Die Bedienungsanleitung kann aktualisiert werden. Sie können die aktualisierte Anleitung auf unserer Website www.zumex.com im Abschnitt zum jeweiligen Modell einsehen.

Für Anregungen oder Kommentare zur Verbesserung unserer Maschinen oder unseres Servicenetzes wenden Sie sich bitte direkt an Zumex unter der folgenden Anschrift:

ZUMEX GROUP, S.A.
 Poligono Ind. Moncada III C/Molí 2. 46113 Moncada. Valencia. Spanien.
 Tel. +34 961 301 251 · Fax: +34 961 301 255
zumex@zumex.com / www.zumex.com

ZUMEX SERVICE
 Tel. +49 211 41873351 · service@zumex.com

Technische Eigenschaften

	Essential Basic	Essential Pro	Versatile Basic	Versatile Pro
Orangen pro Minute:	22		22	
Dimensionen (cm/inch):	47x50x88 cm 18.5"x19.7"x 34.6"	47 x 50 x 75 cm 18.5"x 19.7"x 29.5"	48 x 55 x 85,5 cm 18.9"x 21.7"x 33.7"	48 x 55 x 89 cm 18.9"x 21.7"x 35.1" All-in-One 48 x 55 x 169.5 cm 18.9"x 21.7"x 66.7"
Nettogewicht (Kg/lb):	45 Kg 99,2 lb	45,75 Kg 100,8 lb	54 Kg 119 lb	55 Kg 121,3 lb All-in-One 55+35 Kg = 90 Kg 121,3+77,2=198,5lb
Verbrauch und Spannung:	380 W : • 220-240 V 60 Hz • 100-120V 60 Hz	320 W : • 220-240 V 50 Hz • 100-120 V 50 Hz	380 W : • 220-240 V 60 Hz • 100-120V 60 Hz	320 W : • 220-240 V 50 Hz • 100-120 V 50 Hz
Schutz:	IPX4		IPX4	
Sicherheit:	Doppelte Magnet - Sicherheitsdetektoren. Elektronische Motorschutzvorrichtung.		Doppelte Magnet - Sicherheitsdetektoren. Elektronische Motorschutzvorrichtung.	Dreifacher Sicherheitsmagnetdetektor. Elektronische Motorschutzvorrichtung.
Fruchtdurchmesser:	65-81 mm (45-67 mm mit dem Kit S)		65-81 mm (45-67 mm mit dem Kit S)	
Antitropf-System:	NEIN	JA	NEIN	JA



Vor der Inbetriebnahme

Bereiten Sie das Gerät vor dem Entsaften folgendermaßen vor:

- 1 Entnehmen Sie den Entsafter aus der Verpackung und stellen Sie ihn auf eine möglichst ebene Oberfläche.
- 2 Vergewissern Sie sich, dass die Netzspannung Ihres Stromkreises innerhalb der auf der Geräte-Identifikationsetikette und Umschlagseite dieser Bedienungsanleitung angegebenen Werten liegt.
- 3 Setzen Sie die Schalenbehälter ein, wie in Abbildung 1 gezeigt.
- 4 Vergewissern Sie sich, dass der Saftbehälter, der Filter und die Reinigungsvorrichtung (Versatile Pro) korrekt positioniert sind und das Gehäuse geschlossen und abgesichert ist.

ZUMEX ESSENTIAL BASIC. Bevor Sie Ihren Entsafter in Betrieb nehmen, ist das Einfüllrohr der Orangen, wie auf Abb. 2 ersichtlich, anzubringen. Benutzen Sie zu diesem Zweck den 4 mm- Inbusschraubenschlüssel, der mit dem Gerät geliefert wird.

Sollten Sie einen Entsafter mit Stand erworben haben, positionieren Sie den Entsafter auf dem Stand und schrauben Sie ihn, wie in den Anweisungen auf dem Podium angeben, an. Vergessen Sie dabei nicht, die Bremsen für die vorderen Räder des Stands zu aktivieren. Bringen Sie anschließend das Zuführrohr und die Schalenbehälter mit offenem Boden an, die Sie im Inneren des Stands finden (Abb. 5).

Bedienung des Gerätes

Essential Basic

Stellen Sie ein Glas / einen Krug unter den Saftaustritt und drücken Sie die grüne Taste (Abb. 3), je nach Modell. Das Gerät beginnt sofort, Saft auszupressen. Um den Entsaftungsvorgang anzuhalten, drücken Sie die rote Taste.

Essential Pro y Versatile Pro

Nachdem Sie die zuvor beschriebenen Schritte befolgt haben, verbinden Sie den Netzstecker des Gerätes mit einer geerdeten Standardsteckdose. Betätigen Sie dann die Taste  auf der Vorderseite des Gerätes, um es einzuschalten.

Schalten Sie das Gerät seit Ihrem Kauf zum ersten Mal ein, wird Ihnen die Nachricht "Choose your language" angezeigt, damit Sie die Bedienungssprache des Gerätes

auswählen können.

Die Auswahl tätigen Sie mit den ▲▼ Pfeiltasten, während Sie die „ON“-Taste gedrückt halten. Haben Sie Ihre Sprache ausgewählt, ist das Gerät bereit, im „Self-Service“-Modus zu arbeiten.

Als allgemeine Regel benutzen wir in der Menüführung den "ON"-Knopf zur Bestätigung und den "OFF"-Knopf für das Beenden.

Funktionsmodi Zumex Essential Pro

Das Gerät Zumex Essential Pro funktioniert in zwei Arbeitsmodi:

Autostart: Das Gerät erkennt die Orangen im Zuführrohr und beginnt diese zu verarbeiten.

Self-service: Das Gerät beginnt mit der Verarbeitung, sobald der Selbstbedienungshebel betätigt wird, entweder indem Sie den Hebel drücken oder den Druckhebel bedienen. Um den Druckhebel zu betätigen, richten Sie sich nach den Vorgaben der Abb. 12A und 12B. Dieser Modus kann auch kontinuierlich arbeiten, indem Sie die Hebelsperre um 90° drehen (Abb.13).

Auswahl eines Arbeitsmodus:

- 1 Halten Sie die MENÜ-Taste einige Sekunden lang gedrückt, um das Menü aufzurufen.
- 2 Wählen Sie mit Hilfe der Pfeiltasten ▲▼ die Option ARBEITSMODUS und drücken Sie die Taste ON, um Ihre Auswahl zu bestätigen.
- 3 Wählen Sie mit Hilfe der Pfeiltasten ▲▼ den gewünschten Arbeitsmodus, Autostart oder Self-Service-Modus aus und drücken Sie ON, um Ihre Auswahl zu bestätigen. Drücken Sie wiederholt auf OFF, um das Menü zu verlassen.

Funktionsmodi Zumex Versatile Pro

Der Zumex Versatile Pro funktioniert in zwei Arbeitsmodi:

Professional: Mit Hilfe der Pfeiltasten ▲▼, können Sie die Anzahl der zu entsaftenden Orangen pro Zyklus programmieren und dabei bis zu 20 Orangen pro Zyklus verarbeiten. Sie können aber auch eine kontinuierliche Entsaftung bestimmen, indem Sie die Option 'c' wählen. Der Entsaftungsvorgang beginnt, indem Sie die 'ON'-Taste betätigen, und endet, sobald die gewünschte Anzahl an Orangen verarbeitet wurde oder Sie die 'OFF'-Taste betätigt haben.

Self-service: Das Gerät beginnt mit der Verarbeitung, sobald der Selbstbedienungshebel betätigt wird, entweder indem Sie den Hebel drücken oder der Druckhebel bedienen. Um den Druckhebel zu betätigen, betrachten Sie die Angaben der Abb. 9A und 9B. Dieser Modus kann auch kontinuierlich arbeiten, indem Sie die Hebelsperre um 90° drehen (Abb. 13).

Auswahl eines Arbeitsmodus:

- 1 Halten Sie die MENÜ-Taste einige Sekunden lang gedrückt, um das Menü aufzurufen.
- 2 Wählen Sie mit Hilfe der Pfeiltasten ▲▼ die Option ARBEITSMODUS und drücken Sie die ON-Taste, um Ihre Auswahl zu bestätigen.
- 3 Wählen Sie mit Hilfe der Pfeiltasten ▲▼ den gewünschten Funktionsmodus, Autostart oder Self-Service, aus und drücken Sie ON, um Ihre Auswahl zu bestätigen. Drücken Sie wiederholt auf OFF, um das Menü zu verlassen.

Einstellungen

Sie haben die Möglichkeit, an Ihrem Zumex Entsafter Ihre bevorzugten Parameter einzustellen, welche Sie über die Tasten MENÜ > EINSTELLUNGEN aufrufen. Halten Sie die MENÜ-Taste einige Sekunden lang gedrückt, um das Menü aufzurufen, wählen Sie EINSTELLUNGEN und bestätigen Sie Ihre Eingabe mit der ON-Taste.

Helligkeit: Ändert die Hintergrundbeleuchtung Ihres Bildschirms.

Wählen Sie im Menü EINSTELLUNGEN den Menüpunkt HELLIGKEIT und bestätigen Sie Ihre Auswahl mit der ON-Taste. Stellen Sie die gewünschte Helligkeit mit Hilfe der Pfeiltasten ▲▼ ein und bestätigen Sie Ihre gewünschte Helligkeit mit ON. Die Änderungen wurden gespeichert.

Sprache: Stellt die Menüsprache des Entsafters ein.

Wählen Sie im Menü EINSTELLUNGEN den Menüpunkt SPRACHE und bestätigen Sie Ihre Auswahl mit der ON-Taste. Wählen Sie die gewünschte Sprache mithilfe der Pfeiltasten ▲▼ und bestätigen Sie Ihre Auswahl, indem Sie die ON-Taste drücken. Die Änderungen wurden gespeichert.

Abfallbegrenzer (Waste limit): Aktiviert oder deaktiviert den Abfallbegrenzer.

Verwenden Sie die Pfeile ▲▼ zur Eingabe eines Werts. Wenn der Zähler auf 000 eingestellt ist, ist der Abfallbegrenzer deaktiviert. Wenn Sie eine Zahl zwischen 001 und 999 eingeben, wird der Abfallbegrenzer Ihnen melden, wenn diese Anzahl von Orangen

ausgepresst wurde, sodass Sie den Eimer leeren und das Gerät reinigen können.

PULPOUT-SYSTEM: Sie können das PulpOut-System aktivieren, um Fruchtfleisch und Kerne automatisch zu beseitigen. Sie können zwischen ununterbrochenem und regelmäßigem Modus wählen.

Im **ununterbrochenen Modus** wird das Fruchtfleisch während der Entsaftung ständig beseitigt. Verlängern Sie vor der Reinigung die Laufzeit des Systems und somit die Nutzungszeit.

Im **regelmäßigen Modus** ist eine längere Filterphase möglich. Sie können je nach Sorte der verwendeten Zitrusfrüchte und der Menge an Fruchtfleisch einstellen, wie häufig das System aktiv werden soll. Bei einer schnelleren Frequenz wird das System in kürzeren Zeitintervallen aktiv.

Auf diese Weise setzt sich das Band je nach gewähltem Programm nach den folgenden Entsaftungszyklen in Gang:

SLOW	REGULAR	FAST
20 orangen	15 orangen	10 orangen

Zudem können Sie die Funktion "Automatische Reinigung" aktivieren, durch die sich das Band automatisch nach dem letzten Entsaftungsvorgang reinigt. Im unterbrochenen Modus wird die Funktion "Automatische Reinigung" 30 Sekunden nach der letzten Entsaftung aktiv.

Im Digital-Display werden unter anderem die folgenden Anzeigen dargestellt:

	Ununterbrochener Modus
	Ununterbrochener Modus mit Funktion "Automatische Reinigung"
	Unterbrochener Modus mit Funktion "Automatische Reinigung"

! Anmerkung: Beachten Sie, dass Sie mit der OFF-Taste alle ausgeführten Änderungen abbrechen und in das Menü zurückkehren.

Service-Center

Ihre Zumex Essential Pro und Versatile Pro Entsafter bieten Ihnen die erforderlichen Informationen zur korrekten Instandhaltung des Gerätes, sowie einen Orangenähler, der Sie über die Anzahl der bereits entsafteten Orangen informiert und in diesem Modus konfiguriert werden kann. Halten Sie die Menütaste einige Sekunden lang gedrückt, um das Menü aufzurufen und wählen Sie das Service-Center aus. Bestätigen Sie Ihre Auswahl mit der ON-Taste und drücken Sie OFF, um in das Menü zurückzukehren.

Seriennummer: Hier wird Ihnen die Seriennummer Ihres Entsafters angezeigt, die Sie für jede Anfrage beim technischen Kundendienst benötigen. Wählen Sie im Menü SERVICE-CENTER den Menüpunkt SERIENNUMMER aus und bestätigen Sie Ihre Auswahl mit der ON-Taste. Die Seriennummer wird im Display angezeigt. Drücken Sie die OFF-Taste, um in das Menü zurückzukehren.

Spannung: Über diesen Punkt können Sie prüfen, über welche Spannung das Stromnetz zum Zeitpunkt Ihres Aufrufs verfügt. Diese Information ist für jede Anfrage beim technischen Kundendienst wichtig. Wählen Sie im Menü SERVICE-CENTER den Menüpunkt SPANNUNG und bestätigen Sie Ihre Auswahl mit ON. Die Spannung wird im Display angezeigt. Drücken Sie OFF, um in das Menü zurückzukehren.

Kalibrierung: Über diesen Menüpunkt wird Ihnen der Kalibrierwert Ihres Gerätes angezeigt, dessen Einstellung in Ausnahmefällen erforderlich ist, in denen der Orangenähler nicht richtig zählt. Diese Daten sind für jede Anfrage beim technischen Kundendienst wichtig. Es besteht ebenso die Möglichkeit die Werte manuell zu ändern, was aber nur nach Anweisung und mit Hilfe eines autorisierten Kundendienstmitarbeiters durchgeführt werden sollte.

Kalibrierwert: Im Menü SERVICE-CENTER wählen Sie KALIBRIERUNG > KALIBRIERWERT und drücken Sie ON, um Ihre Auswahl zu bestätigen. Der Kalibrierwert wird Ihnen auf dem Bildschirm angezeigt. Drücken Sie OFF, um in das Menü zurückzukehren.

Offsetwert: Im Menü SERVICE-CENTER wählen Sie KALIBRIERUNG > OFFSETWERT und drücken Sie ON, um Ihre Auswahl zu bestätigen. Der

Offsetwert wird Ihnen auf dem Bildschirm angezeigt. Drücken Sie OFF, um in das Menü zurückzukehren.

Kalibrieren: Wählen Sie KALIBRIEREN und bestätigen Sie mit ON. Im Anschluss geben Sie Ihre PIN-Nummer ein und drücken Sie ON. Sie werden mit „Kalibrieren?“ nach Ihrer Bestätigung gefragt, woraufhin Sie ON drücken, um die automatische Kalibrierung zu beginnen. Im Anschluss wird Ihnen der angepasste Kalibrierwert angezeigt. Drücken Sie OFF, um in das Menü zurückzukehren.

Dieser Vorgang sollte ausschließlich unter der Beaufsichtigung eines autorisierten Kundendienstmitarbeiters erfolgen und nur nach ausdrücklicher Anweisung.

Pin-nummer: Ihr Entsafter ist mit einer PIN-Nummer versehen, mit deren Hilfe Sie auf die Zählwerke zugreifen und die Konfigurationsparameter ändern können. Die serienmäßig programmierte PIN-Nummer lautet 0000, die Sie beliebig ändern können.

Wählen Sie im Menü SERVICE-CENTER den Menüpunkt PIN-NUMMER aus und bestätigen Sie Ihre Auswahl mit der ON-Taste. Haben Sie bereits eine andere PIN-Nummer programmiert, geben Sie die bereits programmierte PIN-Nummer ein. Wählen Sie die einzelnen Ziffern mithilfe der Pfeiltasten ▲▼, drücken Sie OFF um jeweils zur nächsten Ziffer zu wechseln und ON, um Ihre neue Pin-Nummer zu bestätigen. Nach Eingabe der richtigen PIN-Nummer erscheint die Displayanzeige „Neue PIN-Nummer“. Programmieren Sie die neue PIN-Nummer, indem Sie die einzelnen Ziffern mithilfe der Pfeiltasten ▲▼ auswählen. Durch Drücken der OFF-Taste gelangen Sie zur jeweils nächsten Ziffer. Bestätigen Sie die neue PIN-Nummer, indem Sie die ON-Taste drücken. Falls Sie Ihre Pin-Nummer vergessen haben, können Sie diese wieder herstellen, indem Sie aus dem Menü den Menüpunkt EINSTELLUNGEN auswählen. Halten Sie die Pfeiltaste ▲ gedrückt und drücken Sie gleichzeitig ▼. Im Anschluss geben Sie eine neue PIN-Nummer ein und bestätigen diese mit ON.

Zählwerke: Sie können den Orangenähler und den Fixzähler Ihres Entsafters einstellen. Der Orangenähler zeigt Ihnen die Anzahl der verarbeiteten Orangen an. Der Fixzähler ermöglicht es Ihnen, eine bestimmte Anzahl von

Orangen zu programmieren und somit nur die eingestellte Orangenanzahl zu verarbeiten.

Teilzähler: Zeigt die Anzahl der verarbeiteten Orangen an und kann auf Null zurückgesetzt werden. Wählen Sie im Menü SERVICE-CENTER den Menüpunkt ZÄHLER > TEILZÄHLER und bestätigen Sie mit ON. Geben Sie anschließend Ihre PIN-Nummer ein (Achtung: Wählen Sie die einzelnen Ziffern mithilfe der Pfeiltasten ▲▼ aus, drücken Sie OFF, um jeweils zur nächsten Ziffer zu gelangen und bestätigen Sie die Pin-Nummer mit ON).

Die Anzahl der verarbeiteten Orangen wird im Bildschirm angezeigt. Um den Zähler auf Null zurückzusetzen, drücken Sie ▼ und bestätigen Sie mit ON. Die Zähleranzeige im Bildschirm zeigt jetzt Null an. Drücken Sie mehrfach die OFF-Taste, um zum Menü zurückzukehren.

Gesamtzähler: Zeigt die Anzahl aller verarbeiteten Orangen über die gesamte Betriebsdauer des Entsafters hinweg an. Dieser Zähler kann nicht auf Null zurückgesetzt werden.

Wählen Sie im Menü SERVICE-CENTER den Menüpunkt ZÄHLER > GESAMTZÄHLER aus und bestätigen Sie Ihre Auswahl mit der ON-Taste. Die Anzahl der verarbeiteten Orangen wird Ihnen im Bildschirm angezeigt. Betätigen Sie die OFF-Taste, um in das Menü zurückzukehren.

Fixzähler: Ermöglicht Ihnen das Festlegen einer bestimmten Anzahl von Orangen, die verarbeitet werden sollen. Wählen Sie im Menü SERVICE-CENTER den Menüpunkt ZÄHLER>FIXZÄHLER aus und bestätigen Sie Ihre Auswahl mit der ON-Taste. Geben Sie anschließend Ihre PIN-Nummer ein (Achtung: Wählen Sie die einzelnen Ziffern mithilfe der Pfeiltasten ▲▼ aus, drücken Sie auf OFF, um jeweils zur nächsten Ziffer zu gelangen und bestätigen Sie die Pin-Nummer mit ON), woraufhin Sie in das Fixzähler-Menü gelangen. Programmieren Sie die einzelnen Ziffern des Fixzählers mithilfe der Pfeiltasten ▲▼ und drücken Sie nach Eingabe jeder Ziffer die OFF-Taste, um zur nächsten Ziffer zu gelangen. Wiederholen Sie diesen Vorgang für jede Ziffer und bestätigen Sie die letzte Ziffer mit ON, damit Ihre Einstellung automatisch gespeichert wird. Im Anschluss wählen Sie aus, ob Sie den Fixzähler im Hauptmenü sehen möchten (Option Sichtbar/Unsichtbar). Drücken Sie mehrfach die OFF-Taste, um in das Menü zurückzukehren.

- ! Hat der Fixzähler bis auf Null heruntergezählt, stoppt der Entsafter automatisch, bis eine neue Anzahl für die zu verarbeitenden Orangen eingegeben wird oder die Zählerfunktion im Menü „HAUPTZÄHLER“ geändert und mit ON bestätigt wird.
- ! Wurde für den Fixzähler die Sichtbar-Option eingestellt, erscheint im Bildschirm bei Normalbetrieb ein "D" vor den Ziffern des Zählers. Wurde für den Fixzähler die Unsichtbar-Option eingestellt, wird keine Ziffer angezeigt.

Reinigung

Zumex empfiehlt, die Maschine je nach Einsatz mindestens 1 bis 2 Mal täglich zu reinigen, um die Voraussetzungen für Lebensmittelhygiene zu erfüllen.

Zumex empfiehlt die Verwendung des Reinigers **Zumex Citric Active™**, der speziell für die Reinigung von Zitruspressen entwickelt wurde und als hocheffektiver Entkruster Wachs und Fruchtfleischreste entfernt.

Führen Sie zur richtigen Reinigung des Gerätes die folgenden Schritte aus:

- ! **WARNUNG!** Trennen Sie das Gerät vom Stromnetz ab.

Essential Basic, Essential Pro

- 1 Demontieren Sie den Behälter (Abb.10), indem Sie ihn mit beiden Händen herausziehen. Um die Behältereinheit wieder zu montieren, halten Sie sie mit beiden Händen fest und setzen Sie sie auf die Führungsschienen der Abdeckung, schieben Sie sie in das Gerät, bis sie vollständig eingesetzt ist.
- ! **Wichtig!** Wenn der Behälter nicht richtig montiert ist, wird das Gerät nicht aktiviert. Der Behälter ist mit einem Filter ausgestattet und kann noch Saftreste enthalten. Handhaben Sie den Behälter vorsichtig, um ein versehentliches Verschütten von Saft oder das Herausfallen des Filters zu vermeiden.
- 2 Ziehen Sie zum Entfernen des Filters an der Lasche.

- 3 Leeren Sie den Filter und stellen Sie ihn kopfüber auf eine ebene Fläche.
- 4 Drücken Sie auf die Kunststoffnasen des Hahns und nehmen Sie die in den Behälter eingesetzten Stifte heraus (Abb. 11). Entfernen Sie zuerst die Rückseite und entriegeln Sie anschließend die Vorderseite. Führen Sie zur erneuten Montage die Schritte in umgekehrter Reihenfolge durch, indem Sie zuerst die Vorderseite des Behälters einsetzen und dann auf die Kunststoffnasen drücken, bis die Stifte in die Löcher des Behälters eingeführt sind. Ziehen Sie vorsichtig am Hahn, um zu prüfen, ob er korrekt eingesetzt wurde.
- 5 Entfernen Sie die Frontabdeckung durch Öffnen der seitlichen Verriegelung (Abb. 14). Drehen Sie die Abdeckung um 90° im Uhrzeigersinn, bis sie sich in der Position außerhalb der Zuführung befindet. Ziehen Sie sie nach oben, bis sie von den Scharnieren gelöst ist. Zur erneuten Montage halten Sie die Abdeckung mit beiden Händen fest und setzen Sie sie in vollständig geöffneter Position ein. Achten Sie dabei darauf, die drei Scharniere in die Aufnahmen einzusetzen. Schließen Sie die Abdeckung und rasten Sie sie mithilfe des Verschlusses in ihrer Position ein.
- ! **Wichtig!** Demontieren Sie immer die Behältereinheit, bevor Sie die Abdeckung entfernen. Nehmen Sie die Abdeckung erst ab, wenn sie vollständig geöffnet ist. Vermeiden Sie es, die Abdeckung mit Gewicht zu belasten, da dadurch die Funktion der Scharniere beeinträchtigt werden kann. Vergewissern Sie sich vor dem Schließen der Abdeckung, dass diese korrekt in ihren drei Scharnieren sitzt.
- 6 Entfernen Sie den Messerträger (Abb. 7), indem Sie ihn mit dem Griff zu sich ziehen.
- ! **ACHTUNG!**
Gehen Sie vorsichtig vor, da Sie sich durch Schnitte verletzen können.
- 7 Ziehen Sie die Keile heraus, bis sie vollständig gelöst sind (8). Zur erneuten Montage platzieren Sie die Keile auf der entsprechenden Seite in den Drehknöpfen. Schieben Sie den Keil, bis die Schaufel vollständig in das obere Trommelement eingeführt ist und der Kanal des Teils am zweiten Drehknopf anschlägt.

- ! **Wichtig!** Entfernen Sie zuerst die Keile, bevor Sie die Trommelemente der Entsaftereinheit demontieren. Wenn der Keil nicht wie oben angegeben korrekt eingesetzt wird, kann das Teil während des Gerätebetriebs beschädigt werden.
- 8 Schrauben Sie die Handräder ab, mit denen die Quetschtrommeln befestigt sind, und demontieren Sie anschließend die Trommeln paarweise (Abb. 9).

Versatile Pro

- 1 Demontieren Sie die Behälter-/PulpOut-Einheit in einem Schritt. Drücken Sie dazu die beiden vorderen Tasten des PulpOut-Systems (Abb. 17), bis sich beide Teile von der Abdeckung lösen, und schieben Sie die Einheit nach außen.
Um sie wieder zu montieren, halten Sie den Behälter mit beiden Händen fest, setzen Sie ihn auf die Führungsschienen der Abdeckung und schieben Sie ihn vollständig in das Gerät. Drücken Sie dann auf die beiden oberen Seitenteile des PulpOut-Systems, bis beiden Knöpfe herausragen und mit den hervorstehenden Linien der Vorderseite übereinstimmen. (Abb. 18)
Wichtig! Wenn der Behälter nicht richtig montiert ist, wird sich das Gerät oder das PulpOut-System nicht aktivieren.
- 2 Entnehmen Sie das PulpOut-System aus dem Behälter. (Abb. 17.3)
- 3 Stellen Sie das PulpOut-System auf eine glatte Oberfläche, setzen Sie Ihre Finger auf die Innenseite der rechten Rolle des Abzugsbands und drücken Sie sie nach außen, um sie zu lösen. (Abb. 19) Entnehmen Sie das Abzugsband gemeinsam mit der anderen Rolle. Um das Band wieder zu montieren, führen Sie die linke Rollen auf der Seite des PulpOut-Systems in das Band ein. Dehnen Sie dann das Band, um die rechte Rolle einzuführen.
- 4 Ziehen Sie zum Entfernen des Filters an der Lasche.
- 5 Leeren Sie den Behälter aus und stellen Sie ihn kopfüber auf eine ebene Fläche.

6 Drücken Sie auf die Kunststoffnasen des Hahns und nehmen Sie die in den Behälter eingesetzten Stifte heraus (Abb. 11). Entfernen Sie zuerst die Rückseite und entriegeln Sie anschließend die Vorderseite. Führen Sie zur erneuten Montage die Schritte in umgekehrter Reihenfolge durch, indem Sie zuerst die Vorderseite des Behälters einsetzen und dann auf die Kunststoffnasen drücken, bis die Stifte in die Löcher des Behälters eingeführt sind. Ziehen Sie vorsichtig am Hahn, um zu prüfen, ob er korrekt eingesetzt wurde.

7 Entfernen Sie die Frontabdeckung durch Öffnen der seitlichen Verriegelung (Abb. 14). Drehen Sie die Abdeckung um 90° im Uhrzeigersinn, bis sie sich in der Position außerhalb der Zuführung befindet. Ziehen Sie sie nach oben, bis sie von den Scharnieren gelöst ist. Zur erneuten Montage halten Sie die Abdeckung mit beiden Händen fest und setzen Sie sie in vollständig geöffneter Position ein. Achten Sie dabei darauf, die drei Scharniere in die Aufnahmen einzusetzen. Schließen Sie die Abdeckung und rasten Sie sie mithilfe des Verschlusses in ihrer Position ein.

! **Wichtig!** Demontieren Sie immer die Behältereinheit, bevor Sie die Abdeckung entfernen. Nehmen Sie die Abdeckung erst ab, wenn sie vollständig geöffnet ist. Vermeiden Sie es, die Abdeckung mit Gewicht zu belasten, da dadurch die Funktion der Scharniere beeinträchtigt werden kann. Vergewissern Sie sich vor dem Schließen der Abdeckung, dass diese korrekt in ihren drei Scharnieren sitzt.

8 Demontieren Sie den Kit 1Step (Abb. 15-16) des Geräts. Lesen Sie zuvor die Montage- und Demontageanweisungen im folgenden Abschnitt *Schnell-Reinigungskit 1Step*.

Sie können es auf zwei Arten reinigen:

- Reinigung des vollständigen Kits: beseitigen Sie eventuell vorhandene Reste von Fruchtfleisch und Schalen durch Waschen mit Wasser und gegebenenfalls mit milder Seife, nachdem Sie das Kit aus der Maschine entnommen haben. Sie können es auch in der Spülmaschine reinigen.
- Gründliche Reinigung: alle Einzelteile können für eine gründlicheren Reinigung einzeln ausgebaut werden. Zumex empfiehlt abhängig von

der Nutzung der Maschine, das Schnell-Reinigungskit mindestens einmal wöchentlich zu reinigen.

9 Entnehmen Sie den Messerhalter (9) und reinigen Sie es vorsichtig, um sich nicht zu schneiden.

- Kunststoffteile des Press-Systems sind spülmaschinenfest.
- Wir empfehlen, die Abdeckung und den Behälter zur Reinigung nicht in die Spülmaschine zu geben. Dies trägt zur Verlängerung der Lebensdauer der Teile bei. Reinigen Sie beide Teile mit Citric Active oder lebensmittelechter Seife mithilfe eines in Wasser getränkten weichen Tuches. Verwenden Sie auf keinen Fall Scheuermittel oder Anti-Kalk-Produkte.
- Der Hahn und der Saftbehälter sind für die richtige Reinigung abzunehmen, um sicherzustellen, dass sich darin keine Rückstände ansammeln. Der Hahn kann im Geschirrspüler gereinigt werden.
- Den Entsäftungsbereich und das Gehäuse sollten Sie mit einem weichen Geschirrtuch reinigen, das Sie mit Wasser und Geschirrspülmittel befeuchten. Spülen Sie die Teile im Anschluss mit viel klarem Wasser ab, damit keine Reste des Reinigungsmittels im Gerät verbleiben.
- Nach Abschluss der Reinigung bringen Sie die Geräteteile in umgekehrter Reihenfolge ihrer Demontage wieder an. Vergewissern Sie sich, dass alle Teile richtig eingesetzt wurden und fest sitzen.
- Denken Sie daran, dass jeder Entsafterkeil (Abb. 8) nur auf einer bestimmten Seite angebracht werden kann. Die Keile sind nicht beliebig austauschbar. Vergewissern Sie sich beim Anbringen, dass der Entsafterkeil im Geräteinneren bis in die Rille des Entsaftertrommelgehäuses eingeführt wird.
- Um Ablagerungen von Wachs zu vermeiden, ist es wichtig die Früchtezufuhr der Zumex Versatile Entsafter regelmäßig zu reinigen.
- Bei Gerätemodellen mit Stand reinigen Sie das Zufuhrrohr und das Innere des.
- Stands und entfernen Sie alle Schalen- und Fruchtfleischreste.



Schnell-ReinigungsKit 1Step

Diese Einheit ermöglicht es, die Trommelteile und die Schnell-ReinigungsKit in einem einzigen Schritt herauszuziehen und einzusetzen (Abb. 15).

Denken Sie daran, vorher den Messerhalter (9) einzusetzen.

Gleichen Sie die Trommeln mit den Achsen ab und justieren Sie ihre Position, während sie sie vollständig einrasten lassen. Verwenden Sie die mittlere Schraube, um die Gruppe am Gerät festzuschrauben.

Hinweis: Gehen Sie bei der Demontage in der umgekehrten Reihenfolge vor.

Montage der Einheit Kit 1Step (Abb. 16)

- a) Legen Sie die hintere Halterung (22) auf eine Unterlage. Die Metallhalter der Keile müssen mit der Oberseite nach unten liegen.
- b) Setzen Sie das obere und das untere Trommelelement zusammen (4 und 5). Setzen Sie die runden Unterteile der Trommeln in die Löcher der Halterung ein. Beachten Sie, dass die Stirnseiten der Trommeln unterschiedlich sind. Vergewissern Sie sich, dass Sie sie wie auf der Abbildung dargestellt einbauen.
- d) Setzen Sie die aus den Press-Trommeleinsätzen herausragenden Kegel in die vier runden Buchsen der vorderen Halterung (21) ein.
- e) Verbinden Sie beide Halterungen mit dem Kunststoffrad (15).
- c) Drehen Sie die Einheit Kit 1step um 180° und setzen Sie die Keile (7 und 12) auf die Keilhalter, indem Sie die Extraktionsschaufel in die Dichtung des oberen Trommelelements einführen. Achten Sie darauf, dass sich beide Halterungen wie in Abbildung 4 dargestellt innerhalb des Keilkanals befinden.

Demontage der Einheit Kit 1Step (Abb.16)

- c) Entfernen Sie in der Position von Bild 4 die Keile (7 und 12), indem Sie sie seitlich aus den Metallhalterungen herausziehen.
- a) Drehen Sie die Einheit um 180° und schrauben Sie das Kunststoffrad (15) ab, das sich hinter den Trommeln befindet und die beiden Metallstützen (21 und 22) festhält.
- b) Ziehen Sie den vorderen Halter vorsichtig heraus (21).
- c) Trennen Sie die Trommeleinsätze (4) und (5).

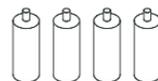
Anmerkung: Zur Reinigung der Einheit lesen Sie bitte die Hinweise im Abschnitt Reinigung.

Hochstell-Kit

Für diese Zumex Maschine ist ein Hochstell-Kit erhältlich, das die Reinigung der Aufstellfläche erleichtert. Bei diesem Modell ist das Hochstell-Kit Art.-Nr.: 05230* nicht im Lieferumfang enthalten, ist im Zubehörkatalog der Maschine enthalten.

Bei der Montage des Kits sind die folgenden Anweisungen zu befolgen:

Bestandteile



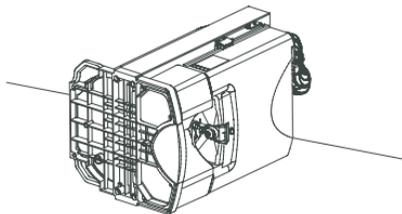
FüÙe	4
Selbsthaftende Filzscheiben	4
Gewindestollen	4

Installation

Die Maschine ist so ausgelegt, dass die Installation des Kits einfach und problemlos vorgenommen werden kann.

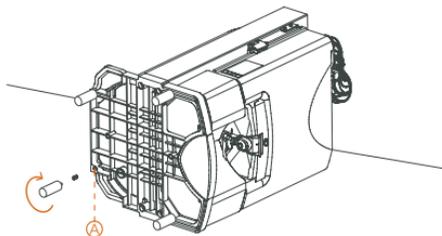
1 Maschine in Montage-Position bringen.

Die Maschine vorsichtig auf eine Seitenfläche legen. Zur Vermeidung von Beschädigungen an der Maschine sollte diese Fläche vorher geschützt werden. Für diesen Arbeitsschritt sind zwei Personen erforderlich. Die Unterseite der Maschine ist so sichtbar und für problemloses Arbeiten zugänglich.



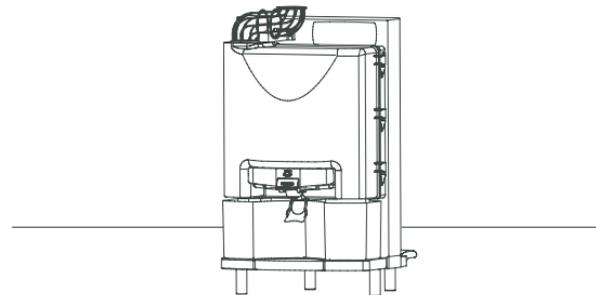
2 FüÙe des Hochstell-Kits anbringen.

Auf der Unterseite der Maschine sind vier in (Bild ansehen) gekennzeichnete Öffnungen für die Aufnahme der FüÙe vorgesehen. Die FüÙe werden mit an einer Seite bereits befestigten Gewindestollen geliefert. Diese Stollen sind in die Öffnungen (A) der Maschinenunterseite vollständig einzuführen. Dann die FüÙe bis zum Anschlag festschrauben. Nach der Vornahme dieses Arbeitsschrittes mit den vier FüÙen können diese bei Bedarf auf- und abgeschraubt werden, ohne dass die Gewindestollen aus ihrer Aufnahme gleiten.



3 Maschine in Arbeitsposition bringen.

Die Maschine vorsichtig anheben, bis sie sich erneut in Arbeitsposition befindet.





Zubehör

Entdecken Sie eine große Auswahl an Zubehör, mit dem Sie Ihren Entsafter an Ihre Bedürfnisse anpassen können:

Presswerk-Modul 1Step

In nur 10 Sekunden können Sie das komplette Presswerk ausbauen und die Elemente im Geschirrspüler oder unter dem Wasserhahn reinigen. So dass Ihre Maschine wieder sauber und einsatzbereit ist.

Kit S / Presswerk-Modul 1Step S

Für die Verarbeitung von Früchten mit einem Durchmesser 45 mm und 67 mm.

Kit zum Pressen von Abfällen

Presst Abfälle in Stiftform für eine praktische und leichte Entsorgung.

Hochstell-kit

Für diese Zumex Maschine ist ein Hochstell-Kit erhältlich, das die Reinigung der Aufstellfläche erleichtert.

Flaschenhalter

Vereinfacht das Füllen von Flaschen. Geeignet für Flaschen mit einem Halsdurchmesser von 38 mm, 36 mm und 34,4 mm.

Korbverschluss und -überzug

Bedecken und schützen den Obstkorb für eine bessere Hygiene.

Flaschenspender

Ermöglicht bei Selbstbedienungssystemen die Ausgabe von Flaschen, Bechern oder Gläsern.

Citric Active

Lebensmittelverträgliches Reinigungsmittel zur Entfernung von Wachs und Fruchtfleisch.

Zumex Pack

Zum Abfüllen frisch gepresster Säfte für ihren Verkauf. Es gibt 4 Formate (1 l, 50 cl, 33 cl und 25 cl), mit Zumex-Etiketten oder kundenspezifischen Etiketten.

Weitere Informationen über Zubehör finden Sie unter www.zumex.com

Fehlersuche und Fehlerbehebung

Fehler	Mögliche Ursache	Lösung
Das gerät funktioniert nicht	Das Gerät ist nicht ans Stromnetz angeschlossen.	Schließen Sie das Gerät an das Stromnetz an.
	An der Steckdose liegt kein Strom an.	Prüfen Sie die Steckdose.
	Das Gehäuse ist falsch angebracht.	Vergewissern Sie sich, dass es korrekt angebracht wurde.
	Der Saftbehälter ist falsch angebracht.	Vergewissern Sie sich, dass es korrekt angebracht wurde.
	Die Trommeln sind blockiert.	Trennen Sie das Gerät vom Stromnetz und entfernen Sie die Sperre der Trommeln.
	Die Sicherheitsdetektoren sind beschädigt.	Wenden Sie sich an den technischen Kundendienst.
Das gerät blockiert sich öfters beim entsaften	Die ON/OFF-Taste defekt.	Wenden Sie sich an den technischen Kundendienst.
	Der Schaltkreis ist beschädigt.	Wenden Sie sich an den technischen Kundendienst.
	Zu geringe Netzspannung.	Vergewissern Sie sich, dass die anliegende Spannung der in der Bedienungsanleitung angegebenen Spannung entspricht.
Die trommeln laufen nicht synchron	Beschädigter Schaltkreis.	Wenden Sie sich an den technischen Kundendienst.
	Beschädigung einer Achse.	Wenden Sie sich an den technischen Kundendienst.
Der entsafterkeil bricht	Der Entsafterkeil wurde falsch angebracht.	Setzen Sie den Entsafterkeil korrekt ein, indem Sie ihn vollständig und bis zum Anschlag einführen.

Fehler	Mögliche Ursache	Lösung
Man hört den motor, doch die trommeln drehen sich nicht	Ein Schaden im Geräteinneren.	Wenden Sie sich an den technischen Kundendienst.
Der ausguss ist verstopft	Der Saft enthält Kerne oder übermäßig viel Fruchtfleisch.	Entfernen und reinigen Sie den Ausguss, wie in Abb. 11A beschrieben.
Das gerät stoppt in kurzen abständen	Unzureichende Belüftung.	Vergewissern Sie sich, dass die Lüftungsöffnungen des Geräts nicht blockiert sind.
	Das Gerät ist überlastet.	Wenden Sie sich an den technischen Kundendienst.
Display zeigt keine information	Störung im Stromnetz.	Maschine ausschalten und dann wieder einschalten.
Das gerät befindet sich im self - service – modus und hört nicht auf zu arbeiten	Der Hebel ist falsch oder nicht angebracht.	Bringen Sie den Hebel so an, wie in Abb. 11A beschrieben.
	Der Hebel ist korrekt angebracht; möglicher innerer Geräteschaden.	Wenden Sie sich an den technischen Kundendienst.
	Die Hebelsperre ist aktiviert.	Stellen Sie die Sperre horizontal und drücken Sie den Hebel nach unten.
Der Motor der Reinigungsvorrichtung dreht sich nicht.	Pulp-out deaktiviert	Aktivieren Sie das Pulp-out-System im kontinuierlichen oder diskontinuierlichen Modus.
	Stellen Sie sicher, dass das Pulp-out-System aktiviert ist.	Benachrichtigen Sie den technischen Kundendienst.

ACHTUNG: Trennen Sie das Gerät grundsätzlich vom Stromnetz, sowie Sie eine Blockierung im Gerät beseitigen. Sollte das Gerät nach Durchführung der hier genannten Prüfvorgänge nicht funktionieren, wenden Sie sich bitte an den technischen Kundendienst.

Bildschirmmitteilungen

Bildschirmmitteilung	Ursache	Lösung
Überstrom	Der maximale Stromverbrauch wurde mindestens eine Sekunde lang überschritten.	Gerät vom Stromnetz trennen und wieder anschließen.
Keine orangen	Der Motor arbeitet über 2 Minuten ohne Fruchtsaft zu produzieren.	Orangen im Zufuhrrohr nachfüllen und ON drücken.
Speicher beginnt	Es wurde ein Fehler im Speicher entdeckt.	An den technischen Kundendienst wenden.
Kalibrierung	Es wurde ein falscher Kalibrierwert entdeckt	Kalibrieren.
Außer betrieb	Der Zähler hat auf Null heruntergezählt.	Ändern Sie den Fixzählerwert (siehe S. 94) oder gehen Sie zur Zählfunktion über, indem Sie den TEILZÄHLER aufrufen und ON drücken.
Eeprom	Fehler im EEPROM Speicher.	Technischen Kundendienst benachrichtigen.
Außerhalb des bereichs	Die Stromzufuhr ist entweder unter 80V oder über a 260V.	Technischen Kundendienst benachrichtigen.
Tastaturfehler (fehler 1)	Es besteht keine Verbindung zum Tastaturfeld.	Technischen Kundendienst benachrichtigen.
Blickendes behälterzeichen	Der Saftbehälter oder die Abdeckung sind nicht richtig eingesetzt.	Korrekte Anbringung nach Fig. 4 überprüfen. Besteht das Problem weiterhin, wenden Sie sich an den technischen Kundendienst.
Abfallbegrenzer (Waste limit)	Der Abfalleimer ist mit der eingegebenen Menge an Orangen gefüllt.	Leeren Sie den Abfallbehälter und reinigen Sie das Gerät.

* Die Mitteilung: "Tastaturfehler" wird möglicherweise nicht angezeigt, da zwischen dem CPU und dem Tastaturfeld keine Verbindung besteht.



Il seguente manuale si riferisce ai modelli:

Modelli da tavolo	Zumex Essential Basic
	Zumex Essential Pro
	Zumex Versatile Basic
	Zumex Versatile Pro
Modelli con podium	Zumex Versatile Pro All-in-One



Estendi la tua garanzia a 5 anni

Registrando il tuo prodotto sul nostro sito web nei primi tre mesi



Registra il tuo prodotto

Zumex Essential I Versatile

Manuale dell'utilizzatore

Leggere attentamente le istruzioni per sfruttare al massimo tutte le potenzialità della macchina.

Indice generale

Figure/Display	3
Riassunto delle Modalità di Funzionamento di Zumex Essential Pro e Zumex Versatile Pro	15
Informazioni generali importanti	120
Caratteristiche tecniche	123
Istruzioni per l'uso	124
Preparazione	124
Funzionamento	124
Pulitura	131
Kit di estrazione 1Step	136
Kit sollevamento	137
Accessori	139
Individuazione di guasti	140
Dichiarazione EU di conformità	143

Informazioni generali importanti

Prima di iniziare, ti consigliamo di tenere conto delle seguenti precauzioni:

- I dati specifici della macchina spremiagrumi Zumex (tensione, frequenza, e altri dati di interesse) sono disponibili sull'Etichetta Identificativa che si trova sulla macchina stessa.
- Per eventuali consultazioni tecniche, contattare il Distributore abituale / Servizio di Assistenza Tecnica Ufficiale e indicare il Numero di Serie dell'Etichetta Identificativa della macchina.
- Zumex adotta le misure necessarie per fare in modo che le macchine messe sul mercato siano raccolte in modo selettivo e ricevano una adeguata gestione ambientale. Si prega di mettersi in contatto con il distributore autorizzato di Zumex per smaltire correttamente queste macchine.
- **Non intervenire sulla macchina se sprovvista degli elementi di sicurezza.**
- Queste apparecchiature sono ad-uso commerciale e possono essere utilizzate in cucine di ristoranti, mense, ospedali e in attività commerciali come panetterie, ecc.
- Per la pulizia non utilizzare l'idropulitrice o il pulitore a vapore.
- Questo apparecchio può essere utilizzato da bambini di età pari o superiore a 8 anni e da persone

con ridotte capacità fisiche, sensoriali o mentali o mancanza di esperienza e conoscenza, a condizione che siano sorvegliati e istruiti in merito all'utilizzo sicuro dell'apparecchio e siano consapevoli dei rischi connessi.

- Assicurarsi che i bambini non giochino con la macchina.
- La pulizia e la manutenzione non possono essere realizzate da bambini senza la supervisione di un adulto.
- Questa macchina, nella parte posteriore, è dotata di un morsetto per il collegamento della Messa a Terra di altri apparecchi alla Messa a Terra dell'impianto. Per utilizzarlo, allentare i dadi e le rondelle, inserire il cavo di Messa a Terra dell'apparecchio ausiliare e riserrare i dadi e le rondelle. Tale punto di equipotenzialità è contrassegnato dal seguente simbolo:



- Non utilizzare frutta diversa da quella specificata nel manuale.

- Durante la pulizia, manutenzione o sostituzione di pezzi, assicurarsi che la spina del cavo di alimentazione sia sempre staccata dalla presa di corrente e ben visibile.
- Per evitare di tagliarsi, maneggiare gli elementi di taglio con molta attenzione.
- I pezzi che sono a contatto con alimenti devono essere puliti seguendo le istruzioni che si trovano nel capitolo dedicato alla pulizia.
- Se il cavo di alimentazione è danneggiato, deve essere sostituito da un cavo o da un dispositivo speciale che dovrà essere fornito dal produttore o dal suo servizio post-vendita per evitare pericoli.

Le istruzioni possono essere aggiornate in qualsiasi momento. È possibile consultare le istruzioni aggiornate nel nostro sito web www.zumex.com, all'interno della sezione dedicata al modello scelto.

Per eventuali suggerimenti o commenti volti a migliorare le nostre macchine o la nostra rete di servizio, si prega di contattare direttamente Zumex al seguente indirizzo:

ZUMEX GROUP, S.A.

Polígono Ind. Moncada III C/Molí 2. 46113 Moncada. Valencia. Spagna.
Tel. +34 961 301 251 · Fax: +34 961 301 255
zumex@zumex.com / www.zumex.com

ZUMEX SERVICE

Tel. +39 081 189 20003 · service@zumex.com

Caratteristiche Tecniche

	Essential Basic	Essential Pro	Versatile Basic	Versatile Pro
Arance al minuto:	22		22	
Dimensioni (cm/inch):	47x50x88 cm 18.5"x19.7"x 34.6"	47 x 50 x 75 cm 18.5"x 19.7"x 29.5"	48 x 55 x 85,5 cm 18.9"x 21.7"x 33.7"	48 x 55 x 89 cm 18.9"x 21.7"x 35.1" All-in-One 48 x 55 x 169.5 cm 18.9"x 21.7"x 66.7"
Peso Netto (Kg/lb):	45 Kg 99,2 lb	45,75 Kg 100,8 lb	54 Kg 119 lb	55 Kg 121,3 lb All-in-One 55+35 Kg = 90 Kg 121,3+77,2=198,5lb
Consumo i tensione:	380 W : • 220-240 V 60 Hz • 100-120V 60 Hz	320 W : • 220-240 V 50 Hz • 100-120 V 50 Hz	380 W : • 220-240 V 60 Hz • 100-120V 60 Hz	320 W : • 220-240 V 50 Hz • 100-120 V 50 Hz
Protezione:	IPX4		IPX4	
Sicurezza:	Doppio sensore magnetico di sicurezza. Protezione elettronica del motore.		Doppio sensore magnetico di sicurezza. Protezione elettronica del motore.	Triplo rilevatore di sicurezza magnetico. Protezione elettronica del motore.
Dimensione della frutta:	65-81 mm (45-67 mm con il Kit S)		65-81 mm (45-67 mm con il Kit S)	
Sistema antigoteo:	NO	SI	NO	SI

Preparazione

Per iniziare a spremere si deve procedere nel modo seguente:

- 1 Disimballare la spremitrice e collocarla sopra una superficie che sia il più possibile orizzontale.
- 2 Assicurarsi che la tensione di rete sia entro i limiti indicati nell'etichetta di identificazione dell'apparecchio, che si può trovare sia nel presente manuale che sull'apparecchio stesso.
- 3 Collocare i depositi di bucce come indicato nelle Fig. 1 e 4.
- 4 Assicurati che la vaschetta del succo, il filtro e il gruppo spazzola (Versatile Pro) siano posizionati correttamente e che il coperchio sia chiuso e assicurato dalla sua chiusura.

ZUMEX ESSENTIAL BASIC. Prima di accendere il pressarance sarà necessario porre il tubo di alimentazione delle arance nella posizione rappresentata nella Fig. 2. Per farlo, utilizzare la chiave a brugola che troverà nell'imballaggio dello spremiagrumi.

Se è stata acquistata una spremitrice con piedistallo, si dovrà collocare la spremitrice sul piedistallo e avvitarlo secondo quanto indicato dalle istruzioni che accompagnano il piedistallo stesso. Non si dovrà dimenticare di frenare le ruote anteriori del piedistallo. Successivamente occorre collocare al suo posto la tramoggia e i depositi di bucce dalla base aperta che si trovano all'interno del mobile (Fig. 5).

Funzionamento

Essential Basic

Mettere un bicchiere/caraffa sotto l'uscita del succo e premere il tasto verde (Fig. 3), la macchina inizierà a spremere all'istante. Per arrestare la spremitura premere il tasto rosso.

Essential Pro y Versatile Pro

Una volta eseguiti i passi precedenti si può procedere a inserire la spina di connessione in una presa elettrica provvista di presa di terra normalizzata. A questo punto, si deve premere il pulsante  sull'alloggiamento per avviare l'apparecchio.

Quando si accende l'apparecchio per la prima volta dopo il suo acquisto, comparirà

il messaggio "Select language:" che invita a selezionare la lingua per il controllo dell'apparecchio.

La selezione si effettua utilizzando le frecce   e premendo "ON". Una volta selezionata la lingua, l'apparecchio sarà pronto per operare in modalità "Self-Service".

Come norma generale, operando all'interno del menù, il pulsante "ON" viene impiegato per accettare e "OFF" per cancellare.

Modalità di Funzionamento in Zumex Essential Pro

Zumex Essential Pro può funzionare in due modalità di lavoro:

Autostart: L'apparecchio rileva la presenza delle arance nel tubo di alimentazione e si attiva al passaggio delle arance stesse.

Self-service: L'apparecchio si avvia azionando il rubinetto self-service o premendo sul rubinetto stesso o azionando il pulsante ausiliario. Per poter operare con questo pulsante ausiliario si vedano le Fig. 12A y 12B. In questo modo si può anche lavorare in continuo girando di 90° il blocco del rubinetto (Fig. 13).

Scelta della modalità di funzionamento:

- 1 Premere il tasto MENÙ per alcuni secondi per entrare nella modalità di programmazione.
- 2 Selezionare l'opzione MODALITÀ DI LAVORO situandosi sull'opzione stessa per mezzo dei cursori   e premere ON per confermare la scelta.
- 3 Selezionare la modalità di lavoro desiderata, Autostart o Self-Service, con i cursori   e premere ON per confermare la scelta. Premere OFF ripetutamente fino a che si esce dal MENU.

Modalità di Funzionamento in Zumex Versatile Pro

Zumex Versatile Pro può funzionare in due modalità di lavoro:

Professional: Si potrà programmare il numero di arance da spremere in ciascun ciclo per mezzo dei cursori  , si potranno programmare fino a 20 arance in ciascun ciclo o selezionare l'opzione 'c' per la spremitura in continuo. La spremitura inizierà premendo 'ON' e finirà al termine della spremitura del numero di arance programmate oppure premendo 'OFF'.

Self-service: l'apparecchio si avvia azionando il rubinetto self-service o premendo sul rubinetto stesso o azionando il pulsante ausiliario. In questo modo si può anche lavorare in continuo girando di 90° il blocco del rubinetto (Fig. 13).

Scelta della modalità di funzionamento:

- 1 Premere il tasto MENU per alcuni secondi per entrare nel menù.
- 2 Selezionare l'opzione MODALITÀ DI LAVORO situandosi sull'opzione stessa per mezzo dei cursori ▲▼ e premere ON per confermare la scelta.
- 3 Selezionare la modalità di lavoro desiderata, Autostart o Self-service, con i cursori ▲▼ e premere ON per confermare la scelta. Premere OFF ripetutamente fino a che si esce dal MENÙ.

Configurazione

La spremitrice Zumex consente di regolare i parametri secondo le proprie preferenze; tutte le regolazioni si effettuano da MENU > CONFIGURAZIONE. Premere il tasto MENU per alcuni secondi per entrare nel menù e selezionare CONFIGURAZIONE; premere ON per confermare la scelta.

Illuminazione: Cambia il livello di luminosità del display.

All'interno del menù di CONFIGURAZIONE selezionare ILLUMINAZIONE e premere ON per confermare la scelta. Regolare il livello di luminosità con i cursori ▲▼. Una volta regolato, confermare premendo ON. Le modifiche rimarranno memorizzate.

Lingua: Cambia la lingua del menù della spremitrice.

All'interno del menù di CONFIGURAZIONE selezionare LINGUA e premere ON per confermare la scelta. Selezionare la lingua desiderata mediante i cursori ▲▼. Una volta selezionata, confermare premendo ON. Le modifiche rimarranno memorizzate.

Limitatore di residui (Waste limit): attiva o disattiva il limitatore di residui. Utilizzare le frecce ▲▼ per assegnare un valore. Se si lascia il contatore a 000, il limitatore di residui verrà disattivato. Se si inserisce un numero compreso tra 001 e 999, il limitatore di residui avviserà quando il relativo numero di arance sarà stato spremuto per procedere allo svuotamento della vaschetta e alla pulizia della macchina.

Sistema PulpOut: Puoi attivare il Sistema PulpOut per l'eliminazione automatica della polpa e dei semi. Puoi scegliere tra la modalità d'uso continua o discontinua. La **modalità continua** elimina la polpa durante tutto il tempo della spremuta.

Allunga l'autonomia del sistema, e di conseguenza, il tempo d'uso prima di doverla pulire.

La **modalità discontinua** permette un tempo di filtrazione della polpa più esteso. Si può scegliere la frequenza con cui il sistema si attiva, a seconda del tipo di agrumi utilizzati e la quantità di polpa. Una frequenza rapida attiverà il sistema in intervalli temporali minori.

In questo modo, il nastro si attiverà a seconda del programma scelto, dopo i seguenti cicli di spremitura:

SLOW	REGULAR	FAST
20 arance	15 arance	10 arance

È inoltre possibile attivare la funzione "Pulizia automatica", che consente al nastro di pulirsi automaticamente dopo l'ultimo spremita. In modalità discontinua, la funzione "Pulizia automatica" si attiva 30 secondi dopo l'ultima spremita.

Nel Display Digitale, questi sono alcuni esempi di visualizzazione:



Modo continuo



Modo continuo con funzione "Pulizia automatica"



Modo discontinuo con funzione "Pulizia automatica"

! Nota bene: Ricordarsi che premendo OFF si cancellano le modifiche effettuate in precedenza e si ritorna al menù precedente.

Servizio Tecnico

Le spremiatrici Zimex Essential Pro e Versatile Pro forniscono le informazioni necessarie per la corretta manutenzione dell'unità, oltre a disporre di contatore di arance spremute che si può configurare nel modo seguente: premere il tasto **MENÙ** per alcuni secondi per entrare nel menù e selezionare **SERVIZIO TECNICO**; premere **ON** per confermare la selezione e **OFF** per tornare al menù precedente.

Numero di serie: Mostra il numero di serie della spremitrice, indispensabile per qualsiasi richiesta al **SERVIZIO TECNICO**.

All'interno del menù di **SERVIZIO TECNICO** selezionare **NUMERO DI SERIE** e premere **ON** per confermare la selezione. Si potrà visualizzare il numero di serie sul display. Per tornare al menù precedente, premere **OFF**.

Tensione: Mostra la tensione di rete al momento della consultazione, indispensabile per qualsiasi richiesta di assistenza tecnica.

All'interno del menù di **SERVIZIO TECNICO** selezionare **TENSIONE** e premere **ON** per confermare la selezione. Si potrà visualizzare la tensione sul display. Per tornare al menù precedente, premere **OFF**.

Calibrazione: Mostra il valore di calibrazione dell'apparecchio, che è necessario regolare in quei casi eccezionali in cui il contatore non conti correttamente. Questa informazione è indispensabile per qualsiasi richiesta di assistenza tecnica. Inoltre offre la possibilità di modificare i valori manualmente, ma questo procedimento deve essere effettuato solo su indicazione di un servizio di assistenza tecnica autorizzato e sotto le sue istruzioni.

Valore di calibrazione: All'interno del menù di **SERVIZIO TECNICO** selezionare **CALIBRAZIONE > VALORE CALIBRAZIONE** e premere **ON** per confermare la selezione. Si potrà visualizzare il numero di calibrazione in display. Per tornare al menù precedente premere **OFF**.

Valore Offset: All'interno del menù di **SERVIZIO TECNICO** selezionare **CALIBRAZIONE > VALORE OFFSET** e premere **ON** per confermare la selezione. Si potrà visualizzare il numero di offset in display. Per tornare al menù precedente premere **OFF**.

Calibrare: Selezionare **CALIBRA** e premere **ON**. Di seguito, introdurre il

proprio PIN e premere **ON**. L'apparecchio chiederà conferma: "Calibrare?"; premere "**ON**" per confermare la calibrazione automatica. Di seguito l'apparecchio effettuerà detta calibrazione e mostrerà il valore di calibrazione regolato. Per tornare al menù precedente, premere **OFF**.

Questa opzione si realizzerà unicamente sotto supervisione del servizio tecnico e quando sia stato espressamente indicato.

Pin: La spremitrice prevede una password per accedere ai contatori e modificare i parametri di configurazione. Il PIN programmato di default è 0000, e può essere personalizzato.

All'interno del menù di **SERVIZIO TECNICO**, selezionare **PIN** e premere **ON** per confermare la selezione. Se la prima volta che si modifica il PIN compare il PIN di default 0000, premere **ON**. Qualora in precedenza sia stata già programmata una qualche password, inserire la vecchia password, selezionare con i cursori **▲▼** ogni carattere, premere **OFF** per passare da cifra a cifra e **ON** per confermare la password. Inserendo il PIN corretto comparirà la scritta "Nuovo Pin". Inserire la nuova password, selezionare con i cursori **▲▼** ogni carattere, premere **OFF** per passare da cifra a cifra e **ON** per confermare il nuovo PIN.

Per recuperare il PIN in caso di dimenticanza: entrare nel **MENÙ** e selezionare **CONFIGURAZIONE**. Mantenere premuto il cursore **▲** e premere **▼** simultaneamente. Di seguito, introdurre il nuovo Pin desiderato e premere **ON**.

Contatori: È possibile controllare il contatore diretto e quello alla rovescia della spremitrice. Il contatore diretto permette di conoscere il numero di arance già spremute, mentre la funzione contatore alla rovescia permette di programmare un numero di arance determinato e di procedere a scalare fino allo zero.

Contatore parziale: Mostra il numero di arance consumate ed è riassettabile. All'interno del menù di **SERVIZIO TECNICO** selezionare **CONTATORI > CONTATORE PARZIALE** e premere **ON** per confermare la scelta. Introdurre il proprio PIN (selezionando con i cursori **▲▼** ogni cifra, premere **OFF** per passare da cifra a cifra e **ON** per confermare la password). Si visualizzerà in tal modo sul display il numero di arance già spremute. Per riassettabile il contatore, premere **▼** e confermare con **ON**: si vedrà che il contatore sul display dell'apparecchio è tornato a zero. Tornare al menù premendo ripetutamente **OFF**.

Contatore totale: Mostra il numero totale di arance consumate in tutta la vita della spremitrice, e non è riazzerabile.

All'interno del menù SERVIZIO TECNICO selezionare CONTATORI > CONTATORE TOTALE e premere ON per confermare la scelta. Si potrà visualizzare in tal modo il numero di arance sul display. Premendo OFF si torna al menù precedente.

Contatore alla rovescia: consente di programmare un numero di arance determinato e di procedere a scalare fino allo zero.

All'interno del menù di SERVIZIO TECNICO selezionare CONTATORI > CONTATORE ALLA ROVESCIA e premere ON per confermare la scelta. Introdurre il proprio PIN (selezionando con i cursori ▲▼ ogni cifra, premere OFF per passare da cifra a cifra e ON per confermare la password) e si entrerà nel menù del contatore alla rovescia. Programmare ogni cifra del contatore alla rovescia con i cursori ▲▼, dopo ogni cifra premere OFF per passare alla successiva, ripetere questa azione per ciascuna cifra e all'ultima premere ON perché l'impostazione rimanga automaticamente memorizzata. Successivamente scegliere se si vuole che il contatore alla rovescia sia visibile o meno nel menù principale (opzione visibile/nascosto). Tornare al menù premendo ripetutamente OFF.

- ! Una volta che il contatore alla rovescia sia arrivato a zero, la spremitrice si fermerà fino a che non venga impostato un nuovo salto di arance oppure si passi alla funzione di contatore diretto entrando nel menù "CONTATORE PRINCIPALE" e confermando premendo ON.
- ! Quando è programmato il contatore alla rovescia visibile, nella schermata normale di funzionamento comparirà una "D" davanti alle cifre del contatore. Se è programmato il contatore alla rovescia nascosto non verrà mostrata alcuna cifra.

Pulitura dell'Apparecchio

Per mantenere delle condizioni igienico-sanitarie ottimali, Zumex raccomanda di pulire la macchina minimo 1 o 2 volte al giorno, a seconda dell'uso.

Zumex raccomanda l'uso del Detersivo **Zumex Citric Active™** appositamente studiato per la pulizia degli spremiagrumi ad alto potere decalcificante per cera e polpa.

Per una pulitura corretta si dovranno rispettare i passi seguenti:

! AVVERTIMENTO! *Disconnettere l'apparecchio dalla rete elettrica.*

Essential Basic, Essential Pro

- 1 Smontare la Vaschetta (Fig. 10) rimuovendola con entrambe le mani e tirando verso l'esterno. Per rimontarla prendere la vaschetta con entrambe le mani, posizionarla sulle guide del coperchio e spingerla dentro fino al completo inserimento.
- ! **Importante:** *Se la vaschetta non è montata correttamente, la macchina non si attiva. La vaschetta del succo contiene un filtro e residui di succo, usare con cautela per evitare la caduta del succo o del filtro.*
- 2 Rimuovere il **Filtro** tirando la linguetta.
- 3 Rimuovere il contenuto e capovolgerla su una superficie piana.
- 4 Premere le palette di plastica del rubinetto e rimuovere i perni inseriti nella vaschetta (Fig. 11). Rimuovere prima la parte posteriore, poi staccare dalla parte anteriore. Per rimontarlo, eseguire l'operazione inversa, inserendo prima la parte anteriore nella vaschetta quindi premere le palette fino all'inserimento dei perni nei fori della vaschetta. Tirare leggermente il rubinetto per verificare che sia inserito correttamente.
- 5 Rimuovere il coperchio anteriore aprendo il coperchio laterale (Fig. 14). Ruotare il coperchio verso destra di 90° fino alla posizione esterna all'alimentatore. Tirare verso l'alto fino a liberarlo dalle cerniere. Per rimontarlo, prendere saldamente il coperchio con entrambe le mani e spingerlo nella

sua posizione completamente aperta, avendo cura di inserire tutte e tre le cerniere nei rispettivi fori. Chiudere il coperchio e bloccarne la posizione con l'apposita chiusura.

- ❗ **Importante:** Smontare il gruppo della vaschetta del succo prima di rimuovere il coperchio. Non rimuovere il coperchio fino a quando non si raggiunge la posizione completamente aperta. Non collocare pesi sul coperchio per evitare di forzare le cerniere. Assicurarsi che il coperchio sia correttamente inserito nelle tre cerniere prima di chiuderlo.
- 6 Rimuovere il supporto della lama (Fig. 7) tirandolo verso di sé dalla maniglia.

❗ ATTENZIONE!

Manipolare questa parte con cautela, perché è tagliente.

- 7 Estrarre gli estrattori fino a quando non sono completamente liberi (Fig. 8). Per rimontarli, posizionare gli estrattori nel lato corrispondente inserendoli nei pomelli. Spingere gli estrattori fino al completo inserimento della palette nel tamburo maschio e fino al contatto del canale con il secondo pomello.
- ❗ **Importante:** Smontare gli estrattori prima dei tamburi del gruppo di spremitura. L'inserimento erraneo dell'estrattore potrebbe danneggiare il componente durante il funzionamento della macchina.
- 8 Smontare i tamburi di spremitura a coppie, svitando preventivamente i viti di supporto (Fig. 9).

Versatile Pro

- 1 Smontare la vaschetta e il PulpOut in un solo passo. Per fare ciò, premere i due pulsanti frontali del PulpOut (Fig. 17) fino a sganciare entrambe le parti dell'alloggiamento, sfilando il gruppo verso l'esterno.

Per rimontarli, prendere la vaschetta con entrambe le mani, posizionarla sulle guide dell'alloggiamento e spingerla dentro fino al completo inserimento. Quindi premere entrambi i lati superiori del PulpOut fino a quando entrambi i pulsanti non fuoriescano e siano allineati con le linee sporgenti sulla parte anteriore (Fig. 18)

- ❗ **Importante:** se la vaschetta non è montata correttamente, la macchina e il PulpOut non si attiveranno.
- 2 Estrarre il PulpOut dalla vaschetta. (Fig. 17.3)
- 3 Su una superficie liscia appoggiamo il sistema PulpOut, mettiamo le dita all'interno del rullo destro del nastro spazzola, spingendo verso l'esterno per rilasciarlo. (Fig. 19) Estraiamo il nastro spazzola insieme all'altro rullo e rimuoviamo entrambe gli elementi. Per rimontarlo, inseriamo i rulli nel nastro, il rullo sinistro attraverso il lato del PulpOut, quindi allunghiamo il nastro per inserire il rullo destro.
- 4 Rimuovi il filtro tirando la linguetta.
- 5 Rimuovi il contenuto della vaschetta e capovolgila su una superficie piana.
- 6 Premere le palette di plastica del rubinetto e rimuovere i perni inseriti nella vaschetta (Fig. 11). Rimuovere prima la parte posteriore, poi staccare dalla parte anteriore. Per rimontarlo, eseguire l'operazione inversa, inserendo prima la parte anteriore nella vaschetta quindi premere le palette fino all'inserimento dei perni nei fori della vaschetta. Tirare leggermente il rubinetto per verificare che sia inserito correttamente.
- 7 Rimuovere il coperchio aprendo il coperchio laterale (Fig. 14). Ruotare il coperchio verso destra di 90° fino alla posizione esterna all'alimentatore. Tirare verso l'alto fino a liberarlo dalle cerniere. Per rimontarlo, prendere saldamente il coperchio con entrambe le mani e spingerlo nella sua posizione completamente aperta, avendo cura di inserire tutte e tre le cerniere nei rispettivi fori. Chiudere il coperchio e bloccarne la posizione con l'apposita chiusura.
- ❗ **Importante:** Smontare il gruppo della vaschetta del succo prima di rimuovere il coperchio. Non rimuovere il coperchio fino a quando non si raggiunge la posizione completamente aperta. Non collocare pesi sul coperchio per evitare di forzare le cerniere. Assicurarsi che il coperchio sia correttamente inserito nelle tre cerniere prima di chiuderlo.

- 8 Smontare il Kit 1Step (Fig. 15-16) dalla macchina. Controllare le istruzioni per il montaggio e lo smontaggio nella seguente sezione *Kit di estrazione 1Step*.

Puoi eseguire due tipi di pulizia:

- Pulizia del kit completo: una volta estratto il kit dalla macchina, elimina i possibili residui di polpa e di buccia lavando con acqua e se necessario con sapone neutro. È anche possibile metterlo in lavastoviglie assemblato e farlo lavare.
 - Pulizia in profondità: tutti i componenti sono smontabili individualmente per una pulizia più approfondita dei pezzi. Zumex raccomanda una pulizia profonda del kit di estrazione almeno una volta alla settimana secondo l'utilizzo della macchina.
- 9 Smontare il Portalama (9) e procedere a pulirlo con attenzione per non ferirsi con il filo.

- I pezzi in plastica del sistema di spremitura si adattano al lavaggio in lavastoviglie.
- Si consiglia di non lavare il coperchio e la vaschetta in lavastoviglie, per allungarne la vita utile. Pulire entrambe le parti con una spugna morbida imbevuta di acqua e detersivo Citric Active o un comune detersivo per i piatti. Non utilizzare in nessun caso prodotti abrasivi o anticalcare.
- Il rubinetto e la vaschetta del succo devono essere separati per poter essere puliti correttamente, evitando che si accumulino sporchie tra di essi. Il rubinetto può essere lavato in lavastoviglie.
- La pulitura della zona di spremitura e dell'involucro dovrà essere effettuata usando uno straccio morbido imbevuto di acqua e sapone per stoviglie. Alla fine, risciacquare con abbondante acqua corrente perché non rimangano resti di sapone.
- Una volta terminato il processo di pulitura, occorrerà rimontare tutti gli elementi in ordine inverso al loro smontaggio. Assicurarsi che tutti i pezzi siano correttamente assemblati e fissati.
- Ricordarsi che gli estrattori non sono intercambiabili: ciascuno dei due può adattarsi solo su un lato (Fig. 8). Quando si rimontano occorre assicurarsi che la paletta del cuneo raggiunga il fondo nella scanalatura del tamburo di spremitura maschio.
- Per evitare l'accumulo di residui cerosi è importante pulire frequentemente l'alimentatore di frutti dei modelli Zumex Versatile.
- Nei modelli con mobile occorre pulire la tramoggia e l'interno del mobile assicurando che non rimangano bucce nei resti di polpa.

Kit di Estrazione 1Step

Questo set consente la rimozione e l'inserimento di tamburi e estrattori di bucce in un solo passaggio (Fig. 15).

Prima di posizionarlo ricordati di inserire il Portalama (9).

Per posizionarlo, allinea i tamburi con gli assi e regola la posizione appena li avrai inseriti completamente. Usa la ruota centrale per avvitare il gruppo alla macchina.

Nota: Per la rimozione procedere in ordine inverso.

Montaggio del Kit 1Step (Fig. 16)

- Collocare il supporto posteriore (22) su una superficie. I supporti in metallo degli estrattori devono essere rivolti verso il basso.
- Far corrispondere i rulli maschio e femmina (4 e 5). Inserire le basi circolari dei rulli nei fori del supporto. Tenere presente che i lati dei rulli sono diversi. Assicurarsi di montarli come mostrato nella figura.
- Inserire i coni sporgenti dei rulli di spremitura nelle quattro boccole circolari del supporto anteriore (21).
- Unire entrambi i supporti con il Volano plastica iniezione (15).
- Ruotare di 180° il kit 1step e inserire gli estrattori (7 e 12) sui supporti degli estrattori inserendo la paletta spremitrice all'interno della giuntura del rullo maschio. Assicurarsi che entrambi i supporti siano all'interno del canale dell'estrattore come mostrato nella figura 4.

Smontaggio del Kit 1Step (Fig. 16)

- Nella posizione della figura 4, rimuovere gli estrattori (7 e 12) tirandoli lateralmente per rimuoverli dai supporti in metallo.
- Ruotare di 180° il kit e svitare il Volano plastica iniezione (15) situato tra i rulli e che sostiene entrambi i supporti in metallo (21 e 22).
- Estrarre con cautela il supporto anteriore (21).
- Separare i rulli maschio (4) e i rulli femmina (5).

Nota: Per la pulizia, consultare la sezione Pulizia.

Kit Sollevamento

Questa macchina Zumex è dotata di un Kit di Sollevamento che rende più facile la pulizia della superficie sulla quale viene situata. Il Kit di Sollevamento rif: 05230* non è incluso in questo modello, è disponibile nel catalogo degli accessori della macchina.

Il Kit di Sollevamento non è incluso in questo modello.

Componenti



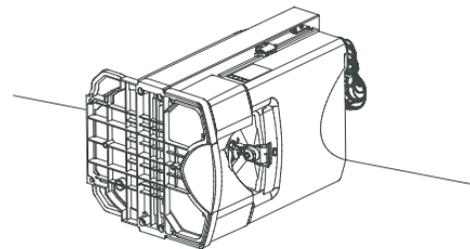
Piedini	4
Disco feltro adesivo	4
Tassello filettato	4

Installazione

La macchina è predisposta per permettere un'installazione semplice e rapida di questo Kit.

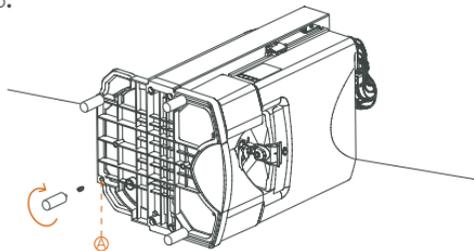
1 Disporre la macchina in posizione di montaggio.

Sdraiare la macchina su un lato con la massima attenzione e proteggendo questa zona per evitare di danneggiare la macchina. Questa operazione deve essere eseguita da due persone, in modo che la base della macchina resti visibile per poter lavorare facilmente.



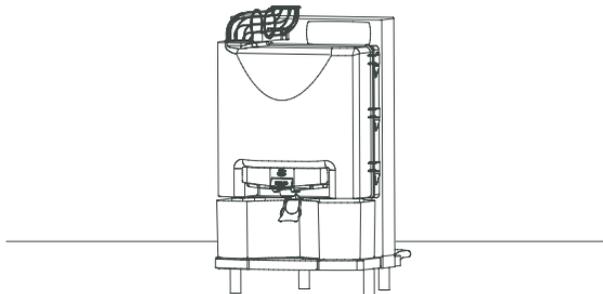
2 Posizionare le gambe del Kit Sollevamento.

La base della macchina è dotata di quattro fori nei quali saranno inseriti i piedini. I piedini sono dotati di tasselli filettati già disposti all'estremità degli stessi; questi dovranno essere inseriti completamente nei fori (A) della basa ed essere avvitati fino in fondo. Una volta realizzata questa operazione con i quattro piedini, questi potranno essere montati e smontati in caso di necessità, senza che i tasselli filettati fuoriescano dal loro alloggiamento.



3 Disporre la macchina nella posizione di lavoro.

Sollevarla verticalmente la macchina, con massima attenzione, fino a lasciarla nella sua posizione di lavoro.



Accessori

Troverai un'ampia gamma di accessori con i quali poter configurare la tua macchina spremiagrumi a seconda delle tue esigenze

Kit di Estrazione 1Step

Con questo accessorio potrai smontare il gruppo di spremitura in solo 10" e far sì che la macchina funzioni con l'altro Kit.

Kit S / Kit di Estrazione 1Step S

Per usare frutta di diametri da 45 mm a 67 mm.

Kit Controbanco

Gestione integrata degli scarti sul banco nel modo più pratico e pulito.

Supporto bottiglie

Permette di riempire comodamente le bottiglie. Adattato per bottiglie con collo di 38, 36 e 34,4 mm.

Chiusura e copertura cesta

Coprono e proteggono la cesta della frutta per una maggiore igiene.

Portabottiglie

Per contesti self-service, consente l'erogazione di bottiglie o bicchieri.

Citric Active

Detergente ad uso alimentare, formulato per la rimozione di cere e polpa.

Zumex Pack

Permette di confezionare bevande fresche per la relativa commercializzazione. Presenta 4 formati (1 l, 50 cl, 33cl e 25 cl) con etichetta Zumex o personalizzata.

Per maggiori informazioni sugli accessori, visita www.zumex.com

Individuazione di Avarie

Avaria	Causa Possibile	Correzione
L'apparecchio non funziona	Apparecchio scollegato dalla presa elettrica.	Collegarlo alla rete elettrica.
	Non arriva corrente alla presa.	Controllare la presa.
	Involucro montato male.	Assicurarsi del suo corretto montaggio.
	Vaschetta del succo montata male.	Assicurarsi del suo corretto montaggio.
	I tamburi sono bloccati.	Disconnettere l'apparecchio dalla rete elettrica e sbloccare i tamburi.
	Sensori di sicurezza guasti.	Rivolgersi al Servizio Tecnico.
	Pulsante ON/OFF difettoso.	Rivolgersi al Servizio Tecnico.
L'apparecchio si blocca di frequente al momento della spremitura	Circuito difettoso.	Rivolgersi al Servizio Tecnico.
	Tensione di rete insufficiente.	Controllare che la tensione sia quella indicata nel manuale.
I tamburi non si muovono in sincronia	Circuito difettoso.	Rivolgersi al Servizio Tecnico.
	Guasto in un asse.	Rivolgersi al Servizio Tecnico.
Il cuneo di estrazione si rompe	Cuneo estrattore mal posizionato.	Collocarlo nella sua posizione corretta introducendolo totalmente fino a che giunga al termine della sua corsa (Fig. 8)
Si sente funzionare il motore ma i tamburi non girano	Avaria interna.	Rivolgersi al Servizio Tecnico.

Avaria	Causa Possibile	Correzione
Il rubinetto si intasa	Il succo contiene semi o eccesso di polpa.	Smontare e pulire il rubinetto secondo la Fig. 11A.
L'apparecchio si ferma a intermittenza	Ventilazione insufficiente.	Controllare che le griglie di ventilazione dell'apparecchio non siano ostruite.
	Sovraccarico.	Rivolgersi al Servizio Tecnico.
Il display non mostra informazioni	Alterazione nella rete elettrica.	Spegnere la macchina e riconnetterla.
L'apparecchio è in funzione self-service e non smette di funzionare	Rubinetto non collocato o collocato in modo non corretto.	Collocare il rubinetto come indicato nella Fig. 11A
	Rubinetto collocato correttamente; possibile avaria interna.	Rivolgersi al Servizio Tecnico.
	Blocco rubinetto attivato.	Collocare il blocco in posizione orizzontale premendo il rubinetto verso il basso.
Il motore spazzola non gira	PulpOut disattivato	Attivare il sistema PulpOut in modo continuo o discontinuo.
	Verificare che il sistema PulpOut sia attivato.	Avvisare il Servizio Tecnico

ATTENZIONE: Qualsiasi azione per sbloccare l'apparecchio deve essere effettuata disconnettendo l'apparecchio stesso dalla rete elettrica. Se dopo avere effettuato i tentativi cui menzionati l'apparecchio non funziona, rivolgersi al servizio tecnico.



Messaggi sul Display

Messaggio sul Display	Causa	Soluzione
Sovracorrente	È stato superato il livello massimo di consumo elettrico per almeno un secondo.	Disconnettere dalla rete e tornare a connettere.
Arance mancanti	Il motore acceso da più di due minuti senza rilevare spremitura.	Inserire arance nell'alimentatore e premere ON.
Memoria iniziata	Si rileva un errore nella memoria.	Rivolgersi al Servizio Tecnico.
Calibrazione	Si rileva un valore erraneo nella calibrazione.	Procedere alla calibrazione.
Fuori servizio	Il contatore è arrivato a zero.	Modificare il valore del contatore alla rovescia secondo quanto indicato a pag. 117, o passare alla funzione contatore diretto entrando in CONTATORE PARZIALE e premendo ON.
Eeprom	Errore rilevato nella memoria EEPROM.	Rivolgersi al Servizio Tecnico.
Fuori range	La tensione di alimentazione di entrata è inferiore a 80V o superiore a 260V.	Rivolgersi al Servizio Tecnico.
Errore di tastiera (errore 1)	Non si può comunicare con la tastiera (avaria interna).	Rivolgersi al Servizio Tecnico.
Icona vaschetta lampeggiante	La vaschetta del succo o l'involucro non sono correttamente al loro posto.	Assicurarsi della loro corretta collocazione secondo quanto indicato dalla Fig. 4. In caso di persistenza del problema consultare il servizio tecnico.
Limitatore di residui (Waste limit)	Vaschetta dei residui piena rispetto alle arance specificate.	Svuotare la vaschetta dei residui e pulire la macchina.

* Il messaggio può non apparire sul display nel caso in cui non vi sia comunicazione tra la CPU e la pulsantiera.



EU Declaration of Conformity

Declaración UE de conformidad

Déclaration de conformité EU

EG-konformitätserklärung

Dichiarazione EU di conformità



EU Declaration of Conformity

ZUMEX GROUP S.A., whose registered offices are situated at Polígono Industrial de Moncada III, C/ Molí, 2 – 46113 - Moncada, Valencia (Spain) does hereby declare, under its sole responsibility, that the **Essential Basic**, **Essential Pro**, **Versatile Basic**, **Versatile Pro** and **Versatile Pro Podium** juicer machines are in compliance with the provisions of the European Directives detailed below:

2006/42/EU	Security on machinery
2014/35/EU	Electrical equipment designed for use within certain voltage limits
2014/30/EU	Electromagnetic compatibility (EMC)
REG.(EC) N° 1935/2004	Materials and articles intended to come into contact with food
REG.(EC) N° 10/2011	Plastic materials and articles intended to come into contact with food
REG.(EC) N° 2023/2006	Good manufacturing practice for materials and articles intended to come into contact with food
2011/65/EU	Restriction of the use of certain hazardous substances in electrical and electronic equipment (ROHS)
2012/19/EU	Waste electrical and electronic equipment (WEEE)

To ensure such conformity, the above-mentioned model complies with the following harmonized standards and/or regulations:

IEC 60335-1	2010	Safety of household electrical appliances and similar. Part 1: General requirements
IEC 60335-2-14 + A1 + A2	2006 2008 2012	Household and similar electrical appliances. Safety. Part 2-14: Particular requirements for kitchen machines
EN 62233	2008	Measurement methods for electromagnetic fields of household appliances and similar apparatus with regard to human exposure
EN 55014-1	2006	Electromagnetic compatibility. Requirements for household appliances, electric tools and similar apparatus. Part 1: Emission
EN 55014-2 + A1	1977 2001	Electromagnetic compatibility. Requirements for household appliances, electric tools and similar apparatus. Part 2: Immunity. Product family standard
EN 61000-3-2	2006	Electromagnetic compatibility (EMC). Part 3-2: Limits. Limits for harmonic current emissions (equipment input current \leq 16 A per phase)
EN 61000-3-3 + A1 + A2	1995 2001 2005	Electromagnetic compatibility (EMC). Part 3-3: Limits. Limitation of voltage changes, voltage fluctuations and flicker in public low-voltage supply systems, for equipment with rated current \leq 16 A per phase and not subject to conditional connection



NSF/ANSI 8	2012	National Sanitation Foundation. Commercial powered food preparation equipment
NSF/ANSI 51	2014	National Sanitation Foundation. Food equipment materials

Moncada, February 06th, 2019



Francisco Serrano
Operations Manager

WARRANTY

SCOPE OF THE WARRANTY: The unit has a two-year warranty against defects and construction problems that could harm the correct operation, provided that the inner parts or mechanisms have not been manipulated. The following are excluded from the warranty.

EXCLUSIONS: Labor, trips, transport, parts that have become deteriorated due to natural wear as a consequence of use, as well as any damage resulting from the incorrect usage or installation of the unit and faults caused as a result of force majeure.

Any incorrect handling of the ID Label will make the Warranty void. Likewise, the warranty will also be void if other persons handle the unit, since only the Official Technical Support Service is qualified and authorized to do so.

Always provide the SERIAL Nr. on the ID Label when contacting the Technical Support Service.

www.zumex.com

03901.07
Jan.2022



euro-MILAN
DISTRIBUTING

115 Matheson Blvd East – Mississauga, ON L4Z 1X8
1.855.544.8600 905.501.8600 Fax: 905.501.9737

info@euromilan.com



euromilan.com

