



KPT-44-1

SINGLE DOOR

PIZZA PREP TABLE

All-stainless steel construction, heavy-duty refrigeration system that delivers reliable and efficient cold storage with superior quality.



KEY FEATURES



• Eco-Friendly Refrigerant
Environmentally friendly R290 hydrocarbon refrigerant has low Global Warming Potential (GWP). Meets all USA, California & Canada refrigerant & energy standards.



• Digital Control
Digital temperature controls and display with automatic defrost system.



• High Power Reliable Refrigeration System
Fast pull down, optimal internal air circulation and reliable refrigeration, maintaining cooler temperatures for food preservation.



• Durable, Self-contained System
Stainless steel exterior and interior, coated evaporator coil and oversized side-mounted compressor



Signature 40/80 Warranty
40 months parts and labor
80 months on compressor (part only)

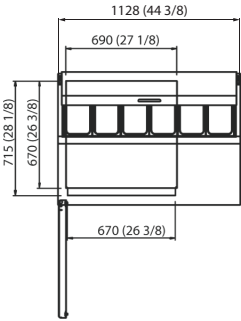


KPT-44-1

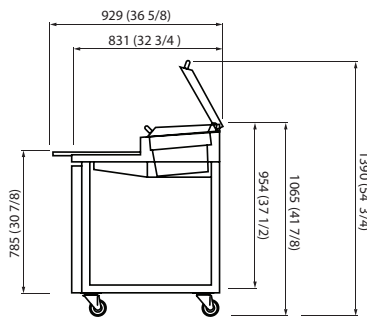
SINGLE DOOR

PIZZA PREP TABLE

PRODUCT VIEWS



Top



Side

ADDITIONAL FEATURES



Removable, easy to clean 18.9" deep cutting board



Equipped with 6 4" polycarbonate food pans (can accommodate 6" pans of left side of unit - note: right side can only accommodate 4" pans due to air circulation)



Heavy-duty 5" castors (2 with brakes)



Self-closing doors with stay open feature



Foamed-in-place high-density CFC-free polyurethane insulation



Tight-sealing magnetic vinyl gaskets



1" thick insulated lid

Specifications subject to change without notice.

TECHNICAL SPECIFICATIONS

Exterior Dimensions		Interior Dimensions	
W:	44.375" (1128 mm)	W:	27.125" (690 mm)
D:	36.625" (929 mm)	D:	26.375" (670 mm)
H:	41.875" (1065 mm)	H:	23.4" (594 mm)

Interior Capacity

13.1 Cu Ft
371 L

Doors	Material	Shelves	Pan Capacity (Type Included)
1	Stainless Steel	2	6 (1/3 x 4")
Exterior Material		Stainless Steel	
Interior Material		Stainless Steel	

REFRIGERATION PERFORMANCE

Refrigerant

R290

Compressor Power

1/4 HP

Thermostat default setting

33°F (0.5°C) to 39°F (4°C)

ELECTRICAL

Power Supply

115V/60Hz

Amps

3.5A

Plug Type

NEMA 5-15P

LOGISTICS

Unit Weight	Shipping Dimensions	
287 lb (130 kg)	W:	48.4" (1229 mm)
Shipping Weight 304 lb (138 kg)	D:	37" (940 mm)
	H:	44.3" (1125 mm)

