

MODEL: _____ ITEM: _____
 FRUILCO Dough Roinder R10TL F11-R10TL

Date: _____
 Project: _____
 Location: _____

Dough rounder with non-stick coating

The R10T processes soft and peculiar doughs in an automatic way. The portions come out round and perfectly closed, no need for change or adjustments - ready to rise, as if they were done manually. R10T eliminates the physical problems due to daily manual dough production.



- High hourly production
- It rounds portions without any change or adjustment
- Easy to disassemble and to clean
- manufactured according to sanitary and safety norms
- no regulation is required
- anodized aluminium castings
- base in stainless steel

100% Made in Italy

Certified quality
 The safety of patented and certified products

All our machines are patented, making them unique.
 Manufactured according to the different international norms.

CAPACITY

Net weight	61 kg
Gross weight	80 kg
Portion weight	70÷1200 g
Production /hr	40÷300 g Kg/hr

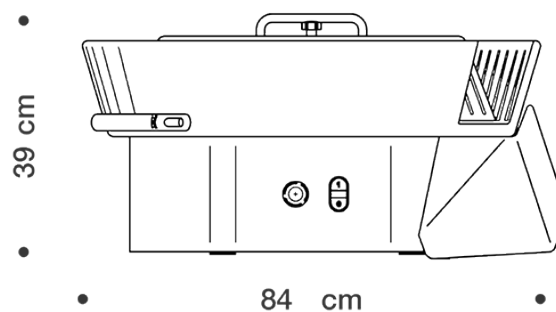
DIMENSIONS

External height	59cm
External depth	78 cm
External width	78 cm
Weight Net	61 kg
Gross	80 kg

ELECTRIC POWER

Power	7 Amp
Current	115 V / 60 Hz

FRONT VIEW



Euro-Milan Distributing reserves the right to modify the characteristics of the products illustrated in this publication without prior notice for misprints and other errors. There may be colour deviations due to the printing process.

