



Date	_____
Project	_____
Location	_____

Undici is a compact, elegant, versatile machine that's easy to use, adjust and maintain. UNDICI is made of steel and aluminium. It has a fixed-nozzle thermosyphon system that's adaptable and high-performing, guaranteeing excellent results in the cup. The new, mechanical button pad is in metal and lies flush with the machine. It's user-friendly and precise, thanks to the LED lights. UNDICI comes in 3 colours (black, white and red) and 3 versions (semi-automatic, automatic and automatic "Coffee-to-go" for cups up to 14.5 cm high), with 1, 2 or 3 groups.

The machine can be personalised thanks to the wide front and rear logo strip.

- Compact size
- Reliable, high-performing thermal system
- New button pads with LEDs
- Can be personalised

INNOVATIVE THERMAL SYSTEM

Fixed-nozzle thermosyphon system that's adaptable and high-performing, guaranteeing excellent results in the cup.

ROBUST AND RELIABLE

UNDICI is made of steel and aluminium to guarantee the best in robustness and reliability.

REDUCED SIZE AND EASY TO USE

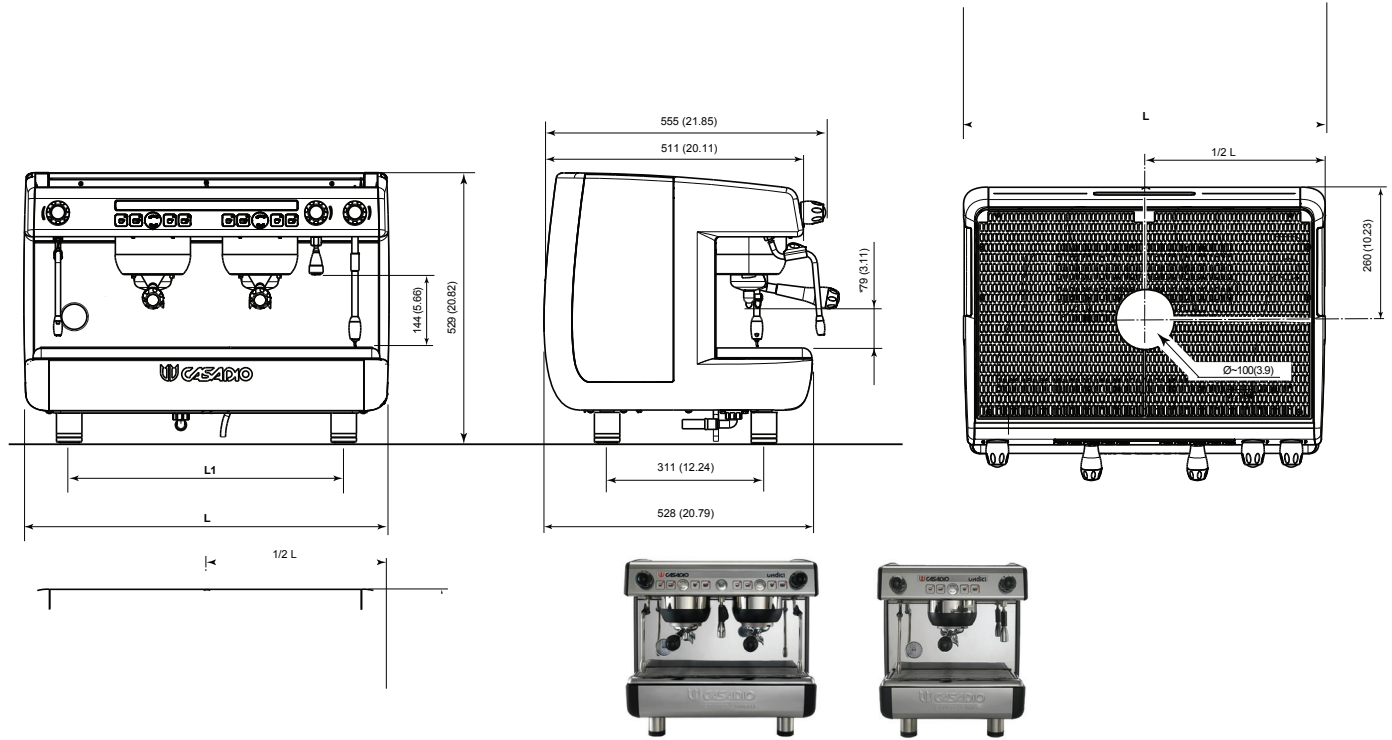
UNDICI is a compact, elegant, versatile machine that's easy to use, adjust and maintain.

CAN BE PERSONALISED

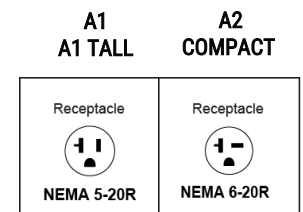
UNDICI can be personalised thanks to the new, mechanical button pad with LEDs that make it user-friendly and precise.



Technical Data



		A1 A1 COFFEE TO GO S1	A2 A2 COFFEE TO GO S2	A2 COMPACT	
Multi-direction stainless steel steam wands		1	V~ 1	V3~ 2	2
Hot water dispenser		1	1	1	1
Boiler capacity		5 l	10,5 l	10,5 l	7 l
Max. power at	100÷120V~ 60Hz - 1ph 1.2 - 1.7 KW	2800-3300	2800-3300	-	2800 - 3300
		-	-	3800-4500	-
Width x Depth x Height		432x528x570 (mm)	712x528x570 (mm)	550x528x529 (mm)	



Euro-Milan reserves the right to modify the characteristics of the products illustrated in this publication without prior notice. For misprints and other errors. There may be colour deviations due to the printing process.

